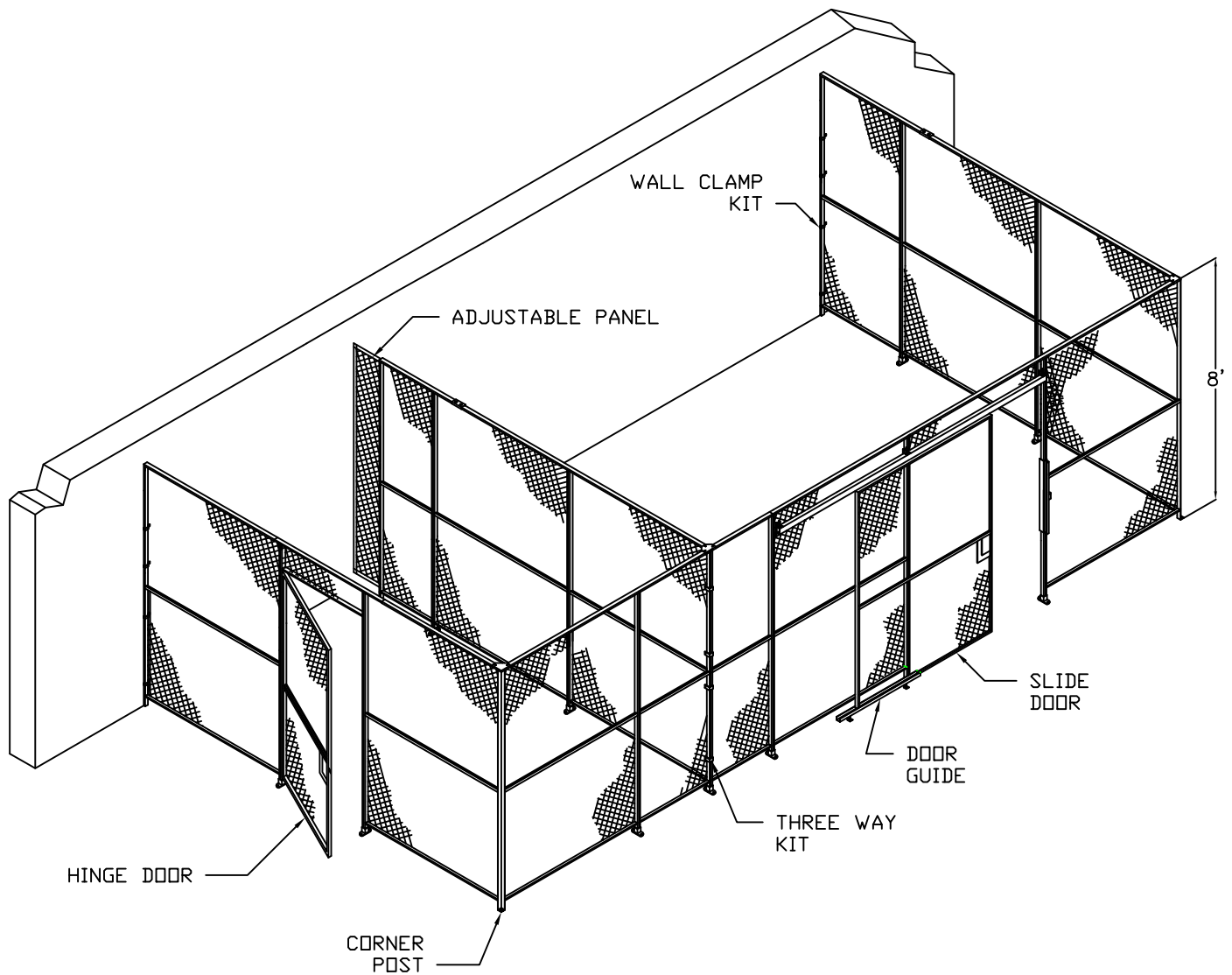


FORDLOGAN

MFG. BY SPACEGUARD PRODUCTS

STANDARD SIZE WIRE PARTITION INSTALLATION DETAILS



Revised 01/01/08

HINTS FOR PROPER INSTALLATION

DO THIS FIRST: Inventory the material against the accompanying packing list and inspect the material for damages or shortages. If there are damages or shortages found please call the number below immediately.

The basic concept of the FordLogan style wire partition system is to provide utmost simplicity and ease of installation.

Tools Required:

SAE wrench set
screwdriver set
SAE torque wrench
hacksaw
rubber mallet

adjustable wrench
hammer drill & bits
standard drill & bits
ladder
 $\frac{1}{8}$ " hex wrench

Optional:

crowbar
tin snips
chalk line
ext. cord

Do not anchor panels until cage is fully erected!

All studs, anchors and associated nuts and bolts shown herein are for reference only and unless ordered separately will not be included in the hardware kits. Anchors may be ordered in $\frac{1}{4}$ " and $\frac{3}{8}$ " diameters.

Be sure to install ATD (wooden dowels) between panels to prevent them from telescoping. (See page 6)

Install panels so that all rivet heads in the center stiffener bar face the same direction.

Be sure to install a line post every 10–15' on standard height partitions. (Consult factory for non–standard heights)

Do not locate flex panel or adjustable panels next to a door panel. Flex panel and adjustable panels should be last panels to be installed on cage.

Do not locate sliding door panels at corners unless door is transom style and can be mounted on outside of partition and slide away from corner.

Do not furnish capbar for full height sliding doors or clear opening door panels.

Do not use full height opening sliding doors with partitions that have a ceiling unless door is mounted on the outside of the enclosure.

Do not put service windows in a panel adjacent to a sliding door in the direction in which the door slides.

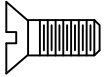

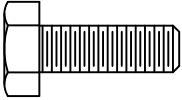
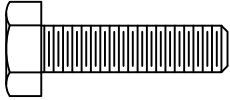
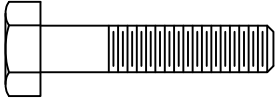
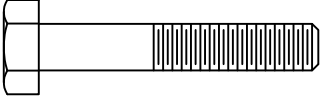
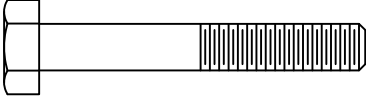
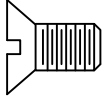
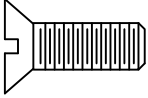


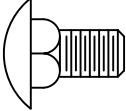
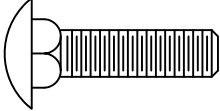
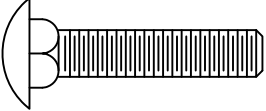
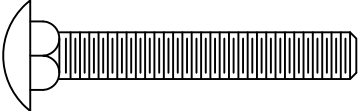
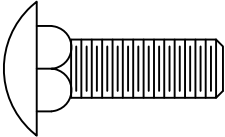
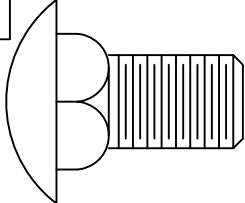
SPACEGUARD

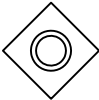


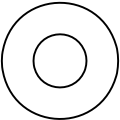
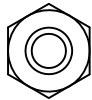
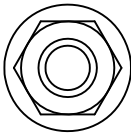
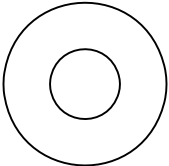
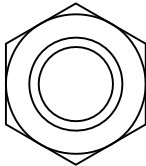
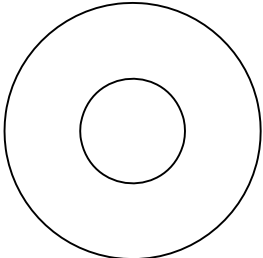
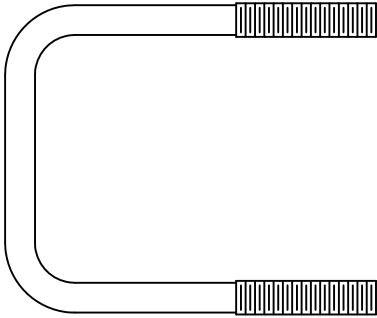
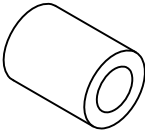
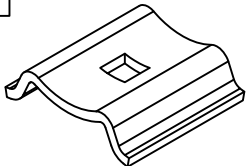
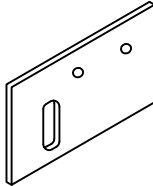
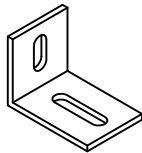
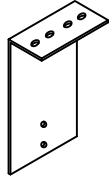
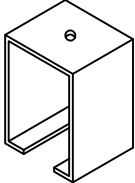
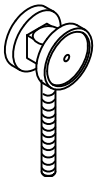
PRODUCTS

TABLE OF CONTENTS

| | |
|--|-------------|
| FORDLOGAN_____ | Front Cover |
| INSTALLATION HINTS_____ | 2 |
| TABLE OF CONTENTS_____ | 3 |
| BOLT DRAWINGS_____ | 4 |
| NUT DRAWINGS_____ | 5 |
| STANDARD CONNECTION HARDWARE PG 1_____ | 6 |
| STANDARD CONNECTION HARDWARE PG 2_____ | 7 |
| LOCK INSTALLATION_____ | 8 |
| 7' HIGH SINGLE HINGE DOOR ASSEMBLY_____ | 9 |
| DUTCH DOOR ASSEMBLY_____ | 10 |
| DOUBLE HINGE DOOR ASSEMBLY_____ | 11 |
| TYPICAL INSTALLATION 7' HIGH_____ | 12 |
| 3' & 4' X 7' FULL-HEIGHT SLIDE DOOR ASSEMBLY__ | 13 |
| TYPICAL INSTALLATION 8' HIGH_____ | 14 |
| TRANSOM STYLE SLIDE DOOR ASSEMBLY_____ | 15 |
| FULL-HEIGHT SLIDE DOOR_____ | 16 |
| FULL-HEIGHT SLIDE DOOR ASSEMBLY_____ | 17 |
| FULL-HEIGHT BI-PARTING SLIDE DOOR_____ | 18 |
| FULL-HEIGHT BI-PARTING SLIDE DOOR ASSEMBLY___ | 19 |
| TRANSOM STYLE LARGE SLIDE DOOR_____ | 20 |
| SPECIAL APPLICATION FOR TRACK SUPPORT_____ | 21 |
| SERVICE WINDOWS_____ | 22 |
| ADJUSTABLE & FLEX PANELS_____ | 23 |
| TYPICAL CEILING INSTALLATION PG 1_____ | 24 |
| TYPICAL CEILING INSTALLATION PG 2_____ | 25 |
| FOUR WAY CONNECTION KIT_____ | 26 |
| TOP PANEL ASSEMBLY_____ | 27 |

FOR MORE INFORMATION CALL 1-800-841-0680

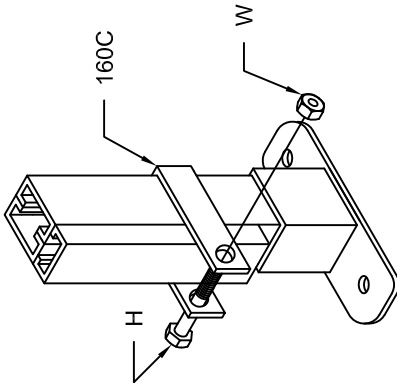
| | | | | | |
|--|--|--|--|--|--|
| A | | B | | C | |
|  <p>Flat Head Screw 3/16 x 1/2</p> | |  <p>Round Head Screw 3/16 X 1</p> | |  <p>Hex Head Bolt 1/4 X 1/2</p> | |
| D | | E | | F | |
|  <p>Hex Head Bolt 1/4 X 3/4</p> | |  <p>Hex Head Bolt 1/4 X 1</p> | |  <p>Hex Head Bolt 1/4 X 1 1/4</p> | |
| G | | H | | I | |
|  <p>Hex Head Bolt 1/4 X 1 1/2</p> | |  <p>Hex Head Bolt 1/4 X 1 3/4</p> | |  <p>Flat Head Screw 1/4 X 1/2</p> | |
| J | | K | | L | |
|  <p>Flat Head Screw 1/4 X 3/4</p> | |  <p>Flat Head Screw 1/4 X 1</p> | |  <p>Flat Head Screw 1/4 X 1 1/4</p> | |
| M | | N | | O | |
|  <p>Carriage Bolt 1/4 X 1/2</p> | |  <p>Carriage Bolt 1/4 X 1</p> | |  <p>Carriage Bolt 1/4 X 1 1/4</p> | |
| P | | Q | | R | |
|  <p>Carriage Bolt 1/4 X 1 3/4</p> | |  <p>Carriage Bolt 5/16 X 1</p> | |  <p>Carriage Bolt 1/2 X 1</p> | |

| | | | | | |
|----|---|----|---|----|--|
| S |  <p>Square Nut 3/16</p> | T |  <p>Hex Nut 10-24</p> | U |  <p>Lock Washer 1/4</p> |
| V |  <p>Flat Washer 1/4</p> | W |  <p>Hex Nut 1/4</p> | X |  <p>Flange Hex Nut 5/16</p> |
| Y |  <p>Flat Washer 5/16</p> | Z |  <p>Hex Nut 1/2</p> | AA |  <p>Flat Washer 1/2</p> |
| BB |  <p>U-Bolt 3/16</p> | CC |  <p>Clearance Spacer</p> | DD | <p>(Not to scale)</p>  <p>Wclip</p> |
| | | EE | <p>(Not to scale)</p>  <p>TRKSUP</p> | FF | <p>(Not to scale)</p>  <p>Angclip</p> |
| GG | <p>(Not to scale)</p>  <p>V7 Adaptor</p> | HH | <p>(Not to scale)</p>  <p>4.2C</p> | II | <p>(Not to scale)</p>  <p>2 Wheel Trolley</p> |

**(TWK)
THREE WAY KIT**

For connecting three wire panels at a "T".

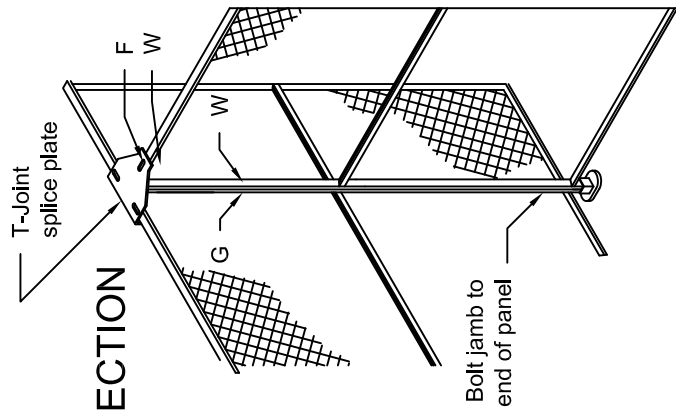
*Intersecting panel leg to be cut in the field.



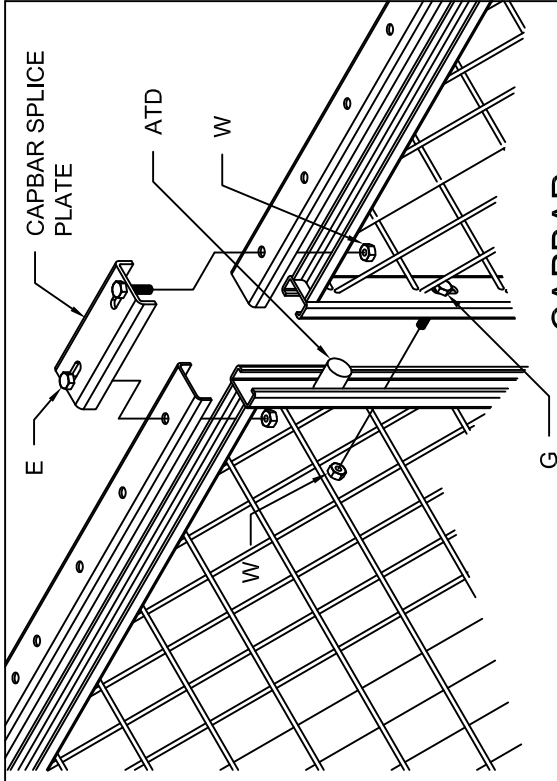
Base shoe will accept 1/4" dia. anchors

**(MWK)
MID WAY CONNECTION**

For connection of wire panel to the middle of another wire panel.



Bolt jamb to end of panel



CAPBAR

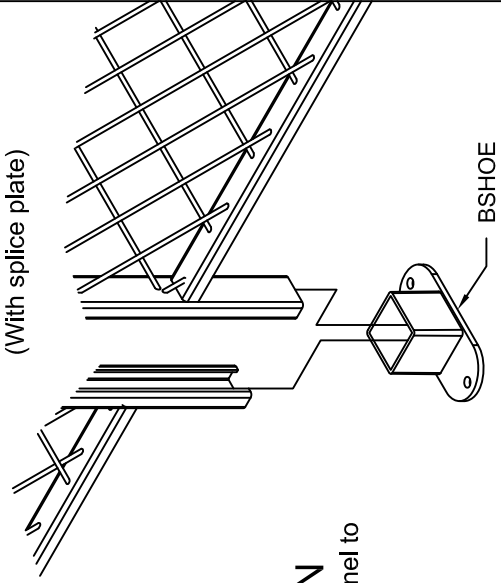
To cover top of panels (8' long sections)

**(ATD)
ANTI-TELESCOPING DEVICE**

(3) Per connection of wire panel to wire panel or door jamb to wire panel

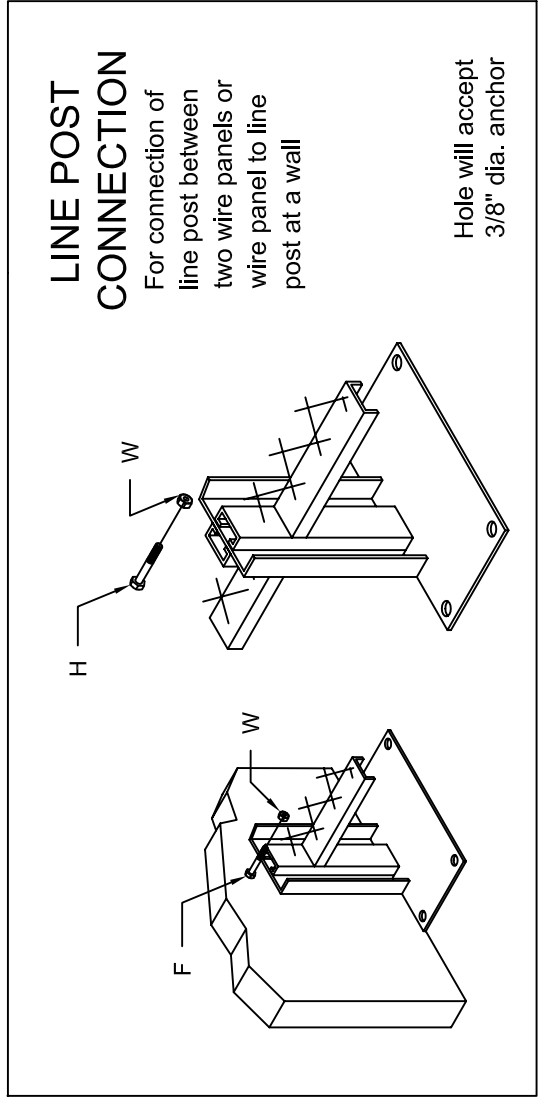
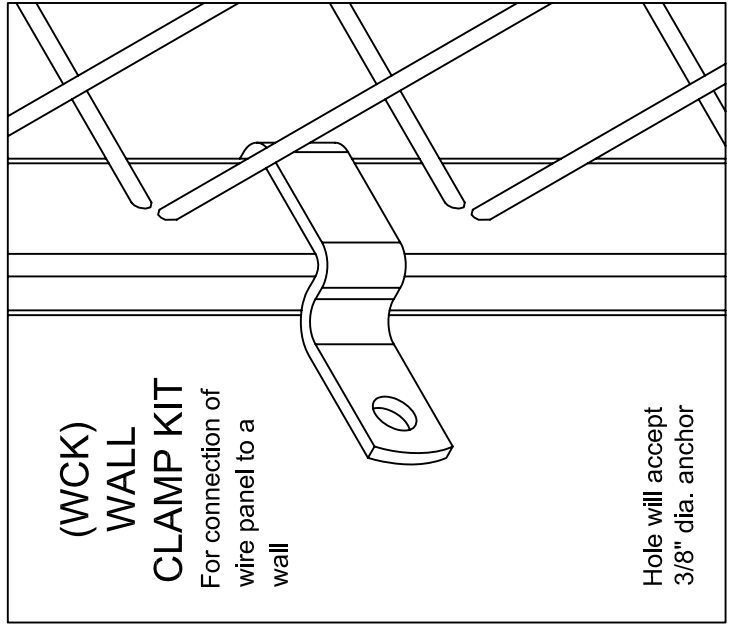
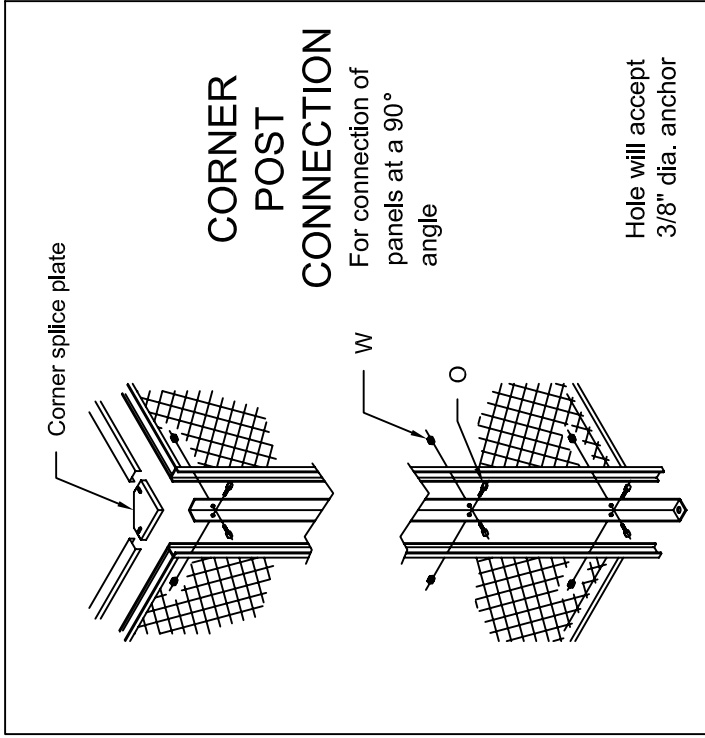
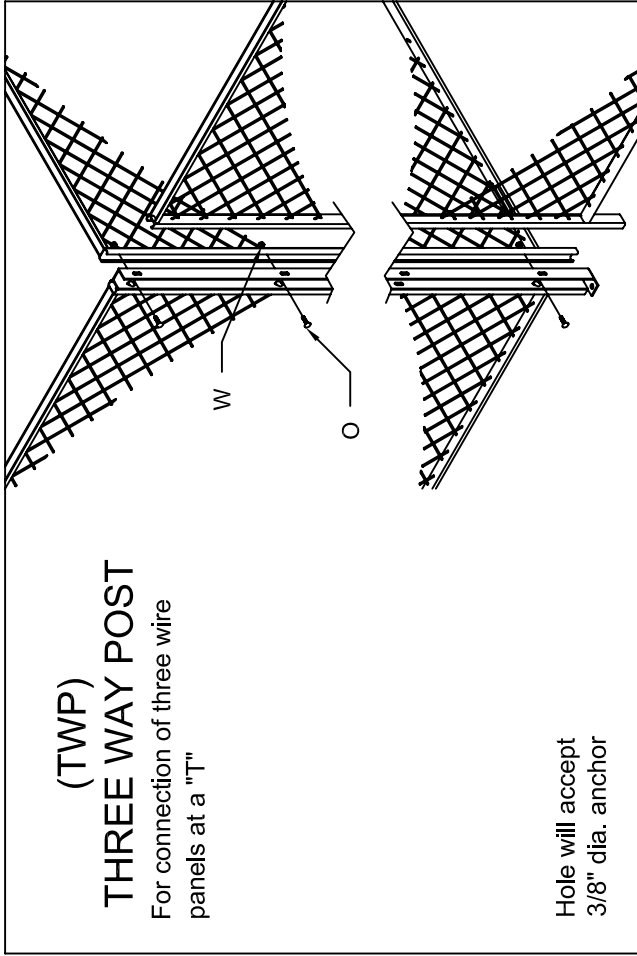
CAPBAR CONNECTION

To attach capbar to the top of panels (With splice plate)

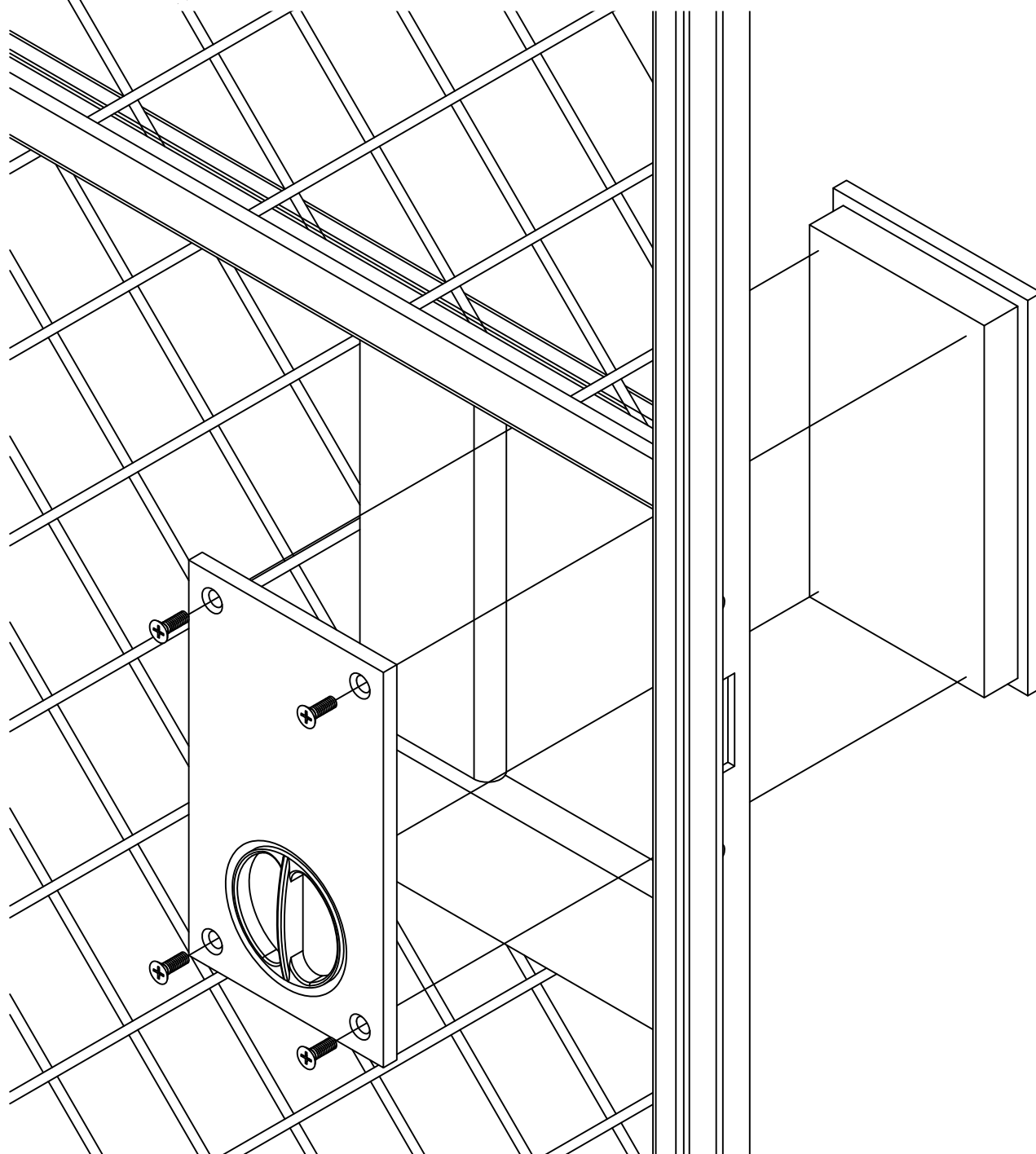


PANEL CONNECTION

For connection of wire panel to wire panel or door jamb

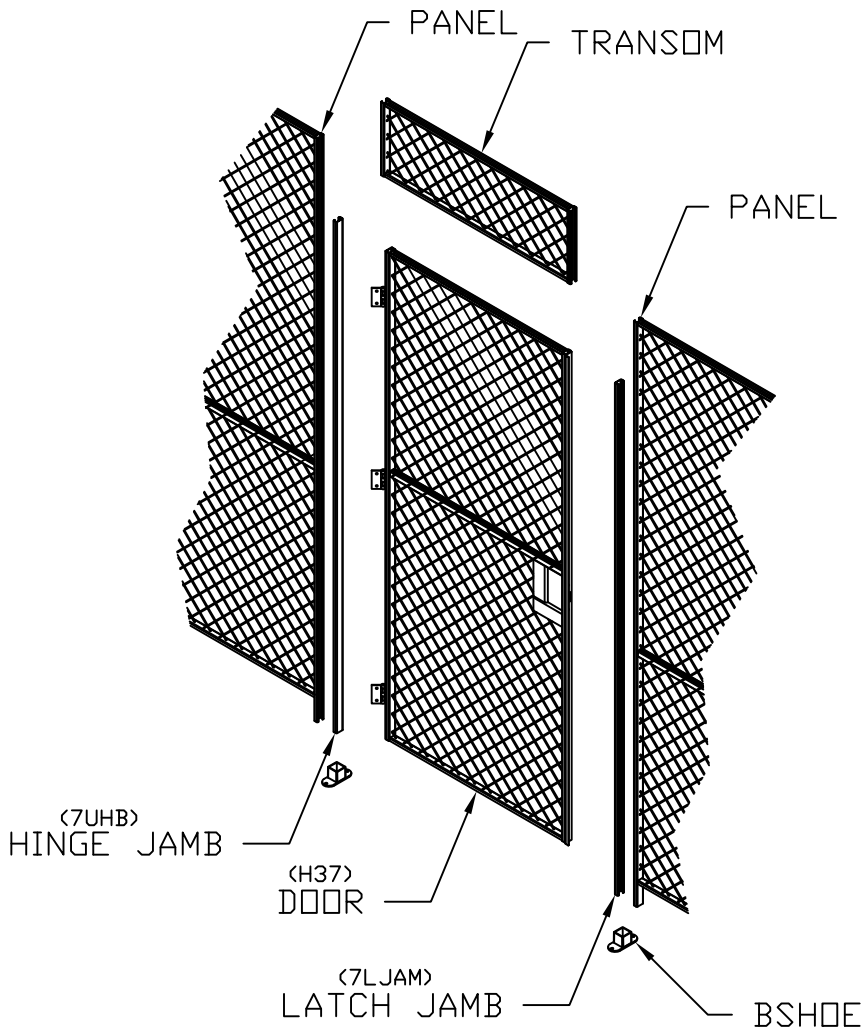


Refer to the instructions provided with the lock for information on how to reverse the latch mechanism (if necessary) and complete installation instructions. (Inside view shown)



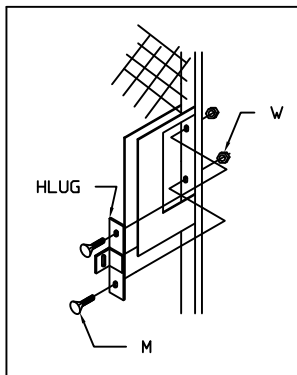
7' HIGH SINGLE HINGE DOOR ASSEMBLY

(H378 SHOWN)

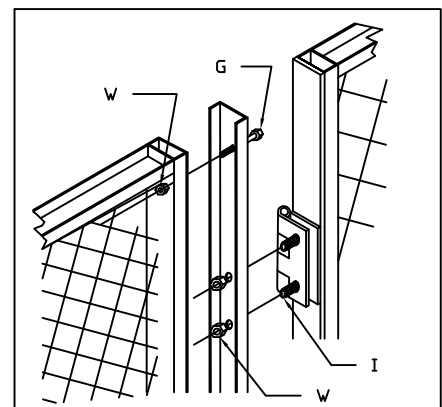


ASSEMBLY NOTES:

1. BOLT HINGE JAMB TO DOOR.
2. BOLT TRANSOM (IF APPLICABLE) TO PANELS ADJACENT TO DOOR OPENING.
3. BOLT HINGE JAMB AND DOOR TO ADJACENT PANEL.
4. BOLT LATCH JAMB TO ADJACENT PANEL.
5. DOOR IS REVERSIBLE FROM SWING-IN OR SWING-OUT & HINGE LEFT TO HINGE RIGHT.

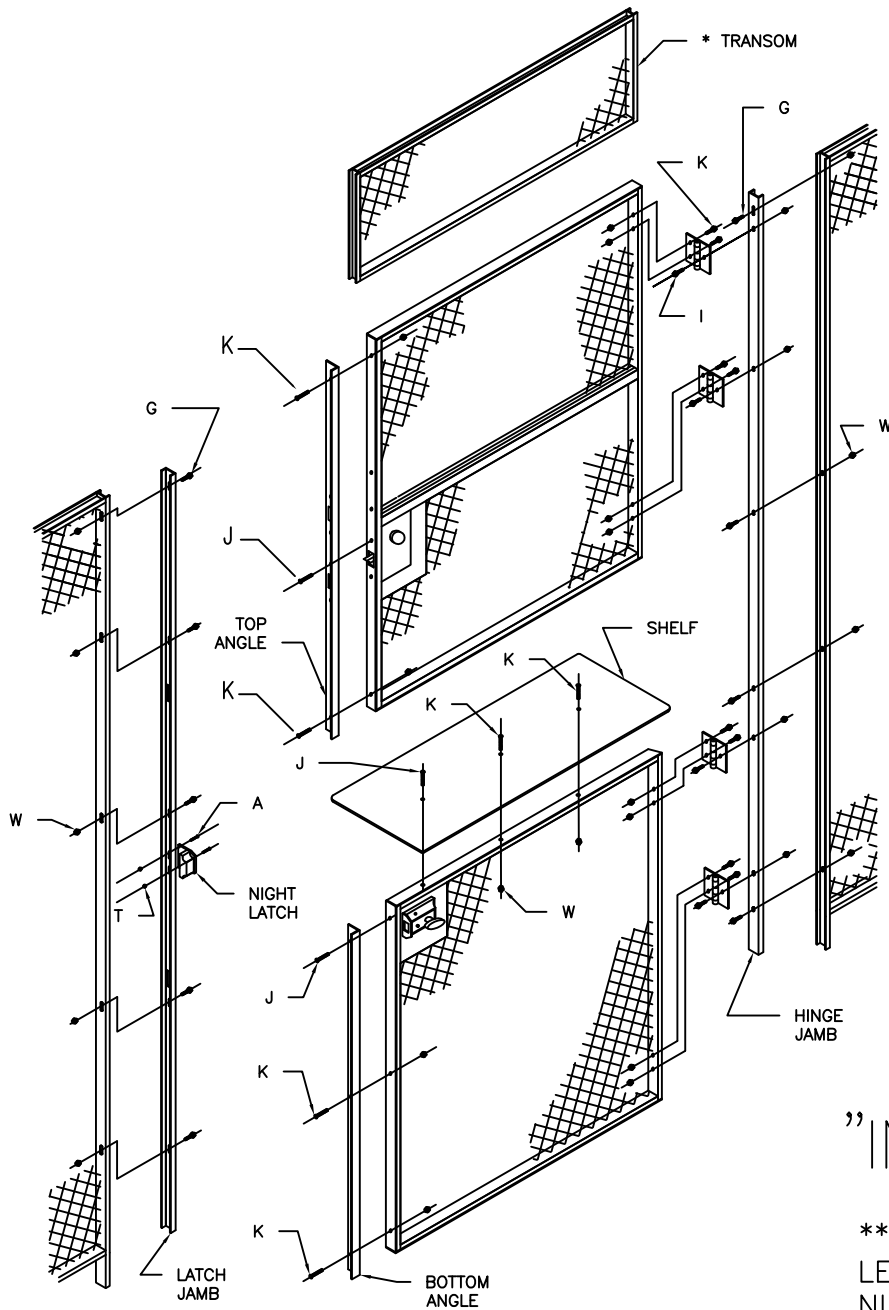


(OPTIONAL)
PADLOCK LUG

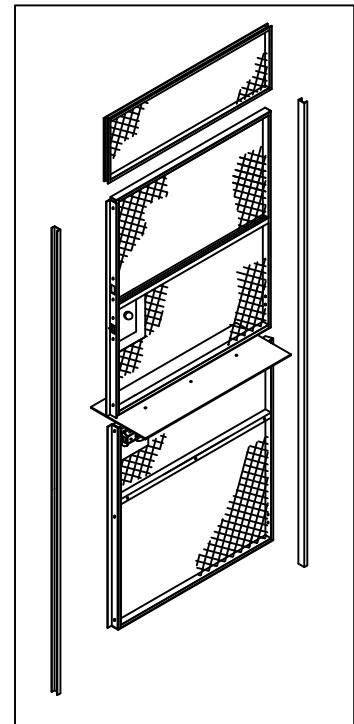


HINGE JAMB DETAIL
BK7 BOLT KIT

DUTCH DOOR ASSEMBLY

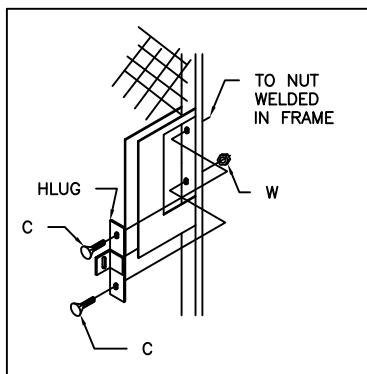


DUTCH DOOR
(DD378 Shown)

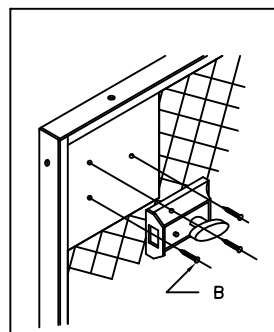


"INSIDE VIEW"

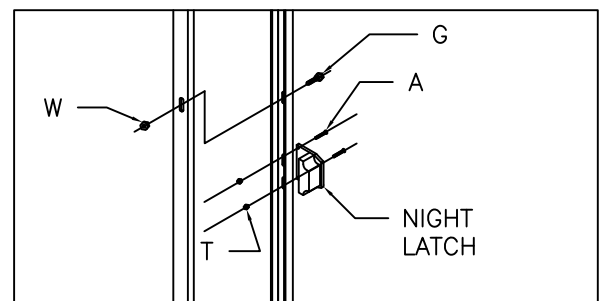
** ITEMS DESIGNATED BY THE LETTER "J" WILL THREAD INTO NUTS WELDED TO THE FRAME



(OPTIONAL)
PADLOCK LUG



LORI LATCH



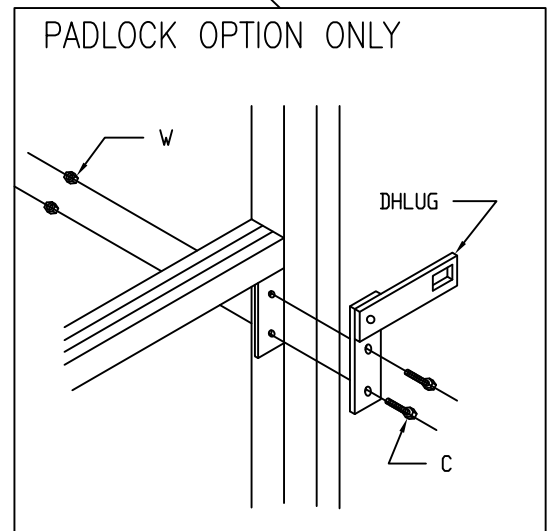
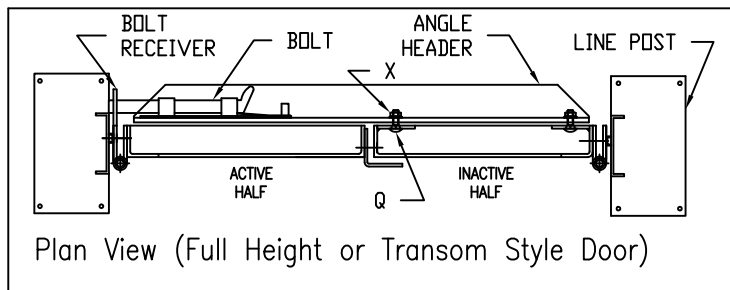
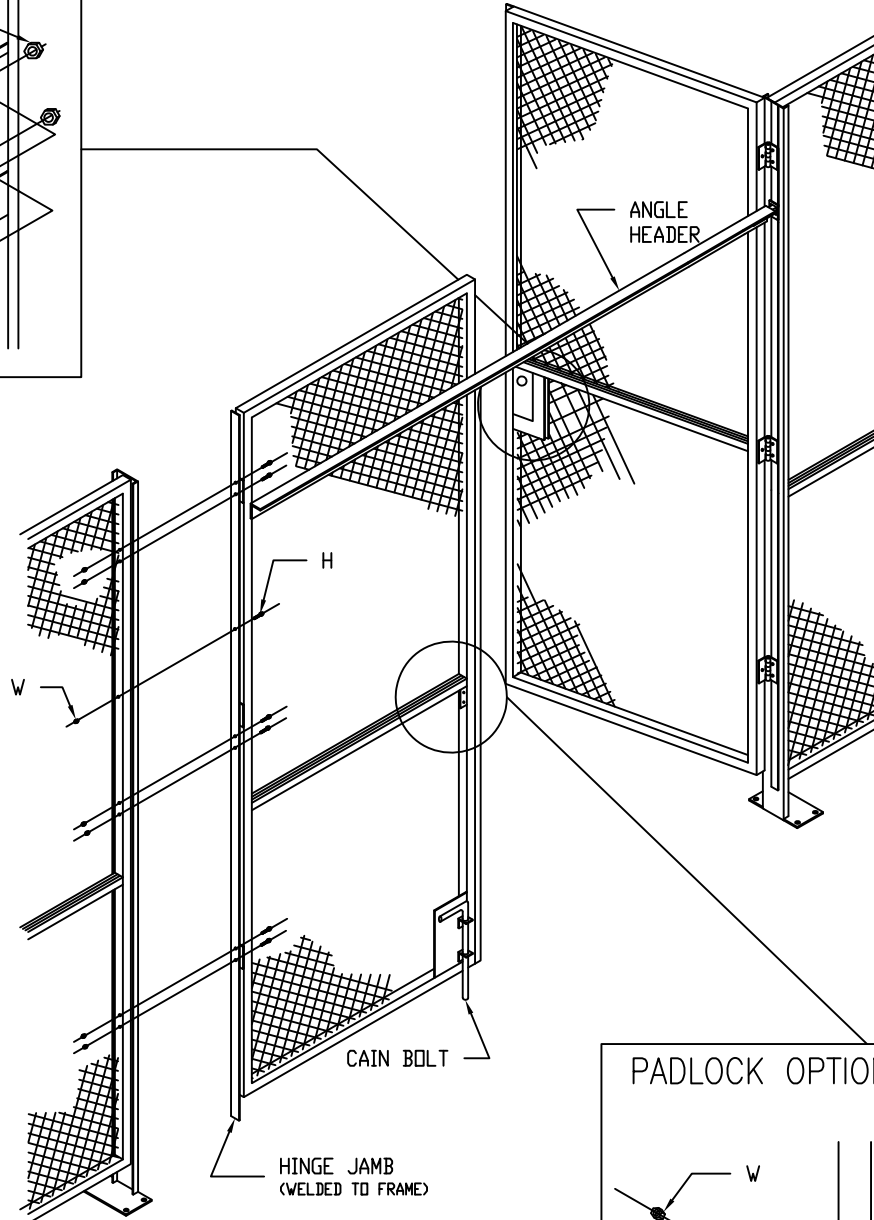
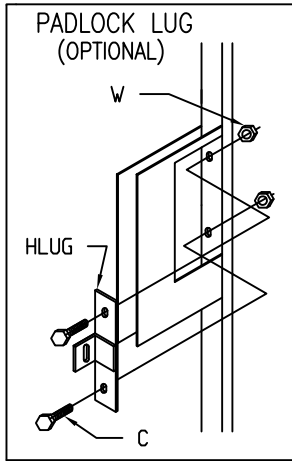
NIGHT LATCH (IN DDLK)

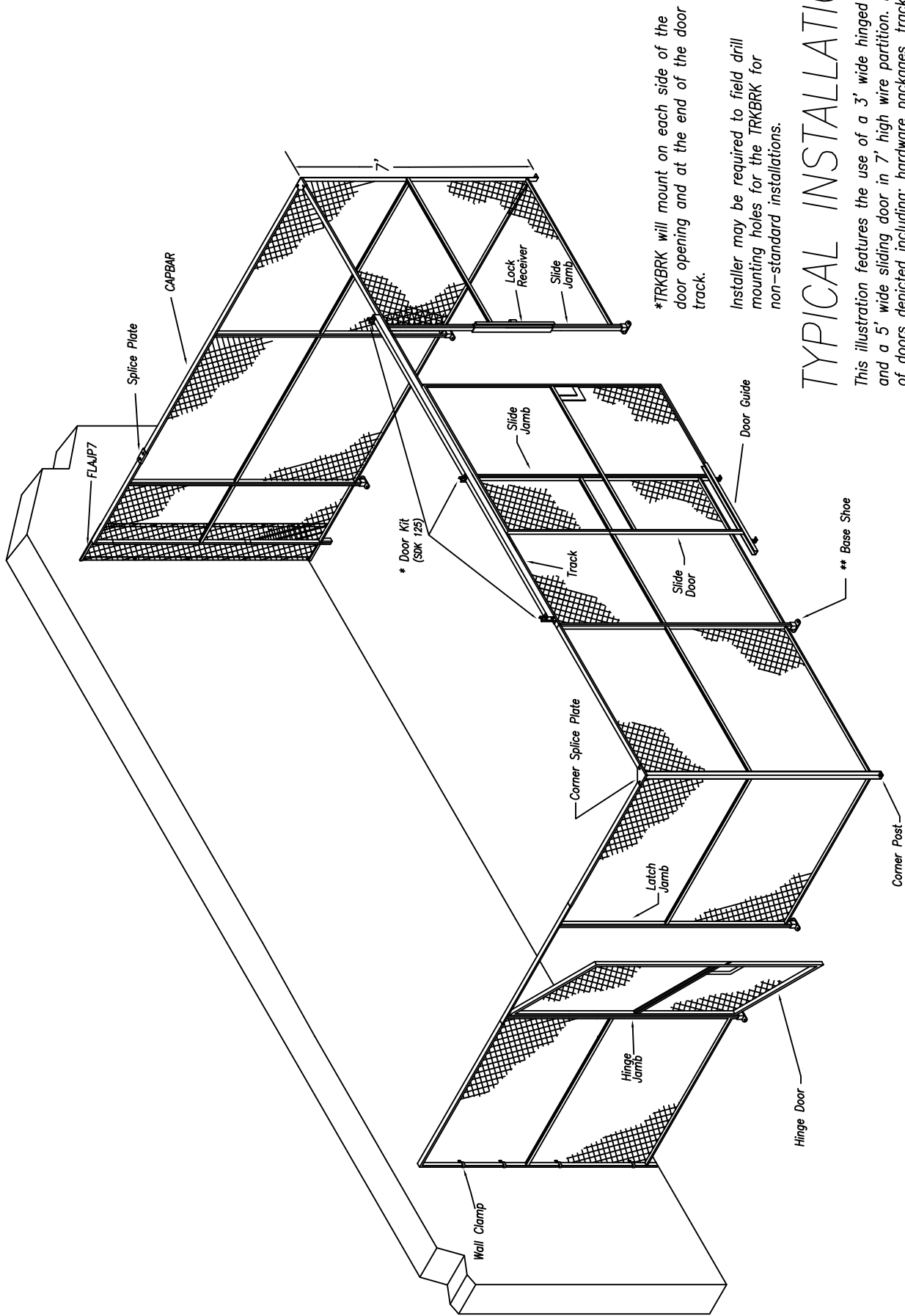
* 7' High Partitions Do Not Require a Transom
(DD378 SHOWN)

DOUBLE HINGE DOOR ASSEMBLY

STANDARD DOOR SWINGS OUT ONLY

(DH688 INSIDE VIEW SHOWN)





*TRKBRK will mount on each side of the door opening and at the end of the door track.

Installer may be required to field drill mounting holes for the TRKBRK for non-standard installations.

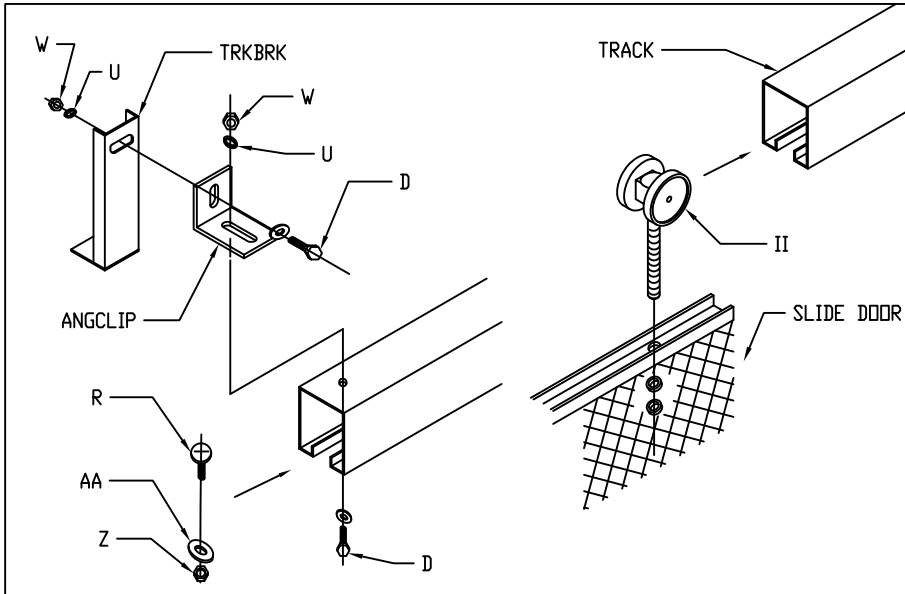
TYPICAL INSTALLATION

This illustration features the use of a 3' wide hinged door and a 5' wide sliding door in 7' high wire partition. Details of doors depicted including: hardware packages, track assembly, ect. are shown on pages 9 and 13.

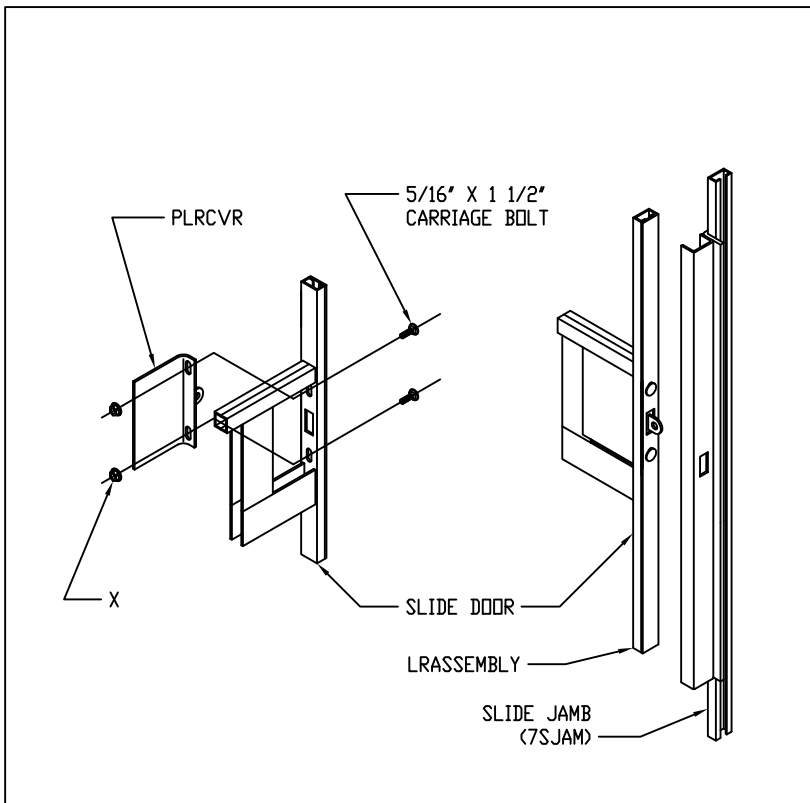
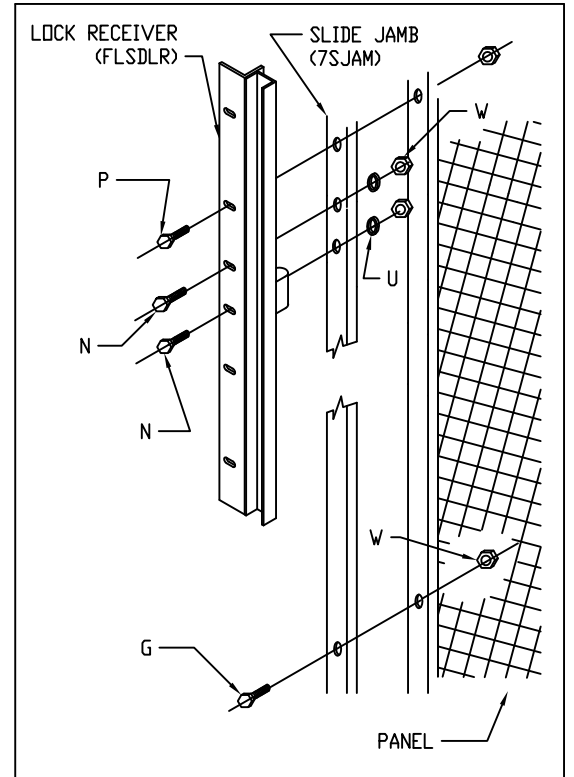
** Included in Standard Panel Hardware

3' & 4' X 7' FULL-HEIGHT SLIDE DOOR ASSEMBLY

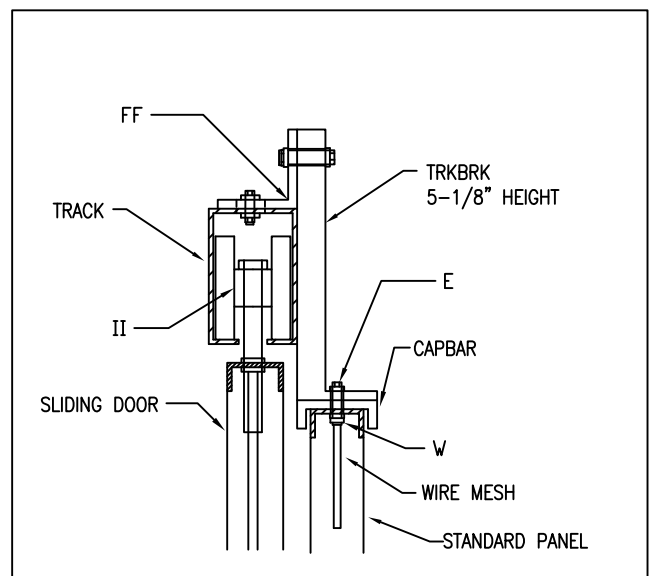
TRACK ASSEMBLY
(SDK125 Door Package)



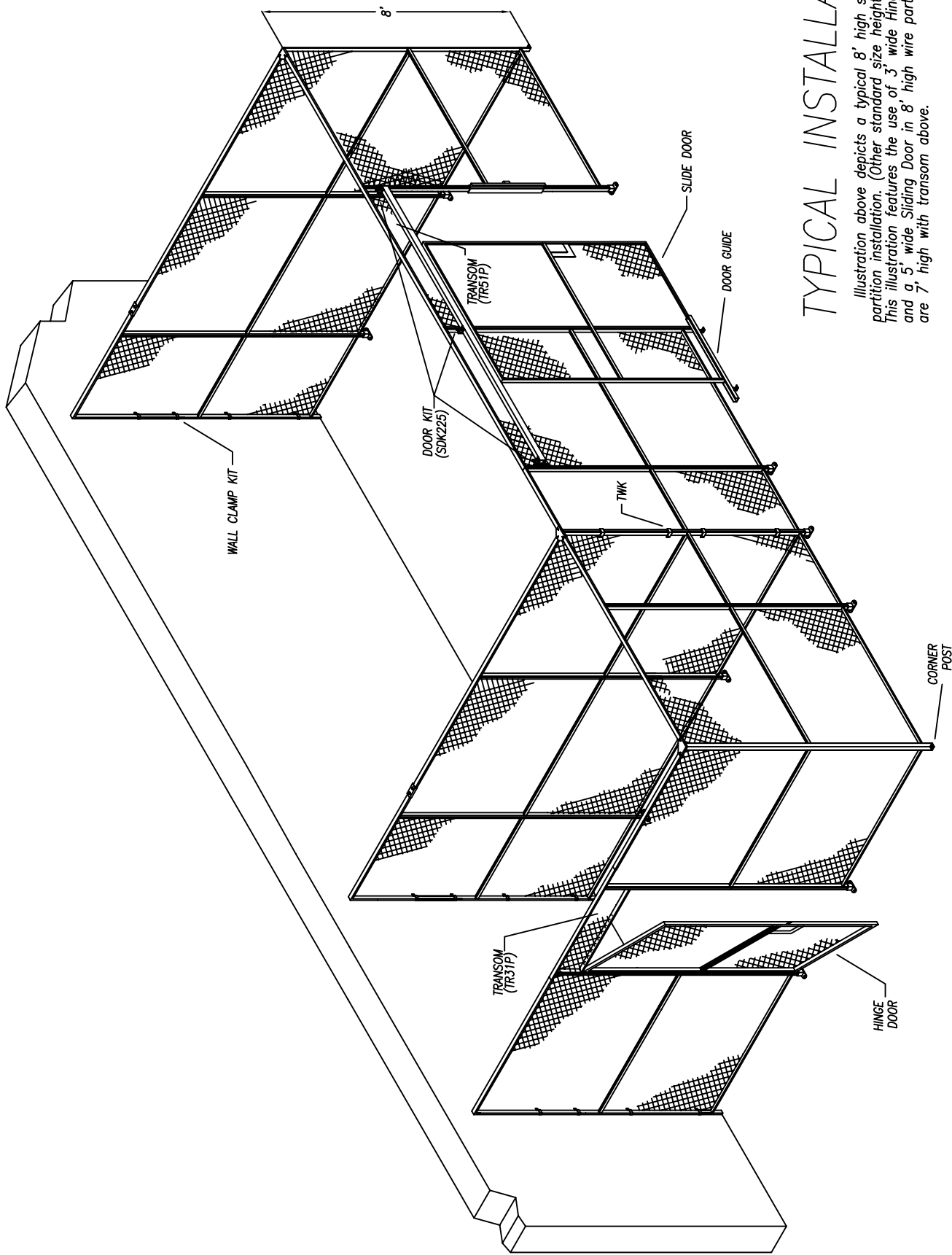
LOCK RECEIVER ASSEMBLY



PADLOCK ARRANGEMENT
(FLSDPLAR)



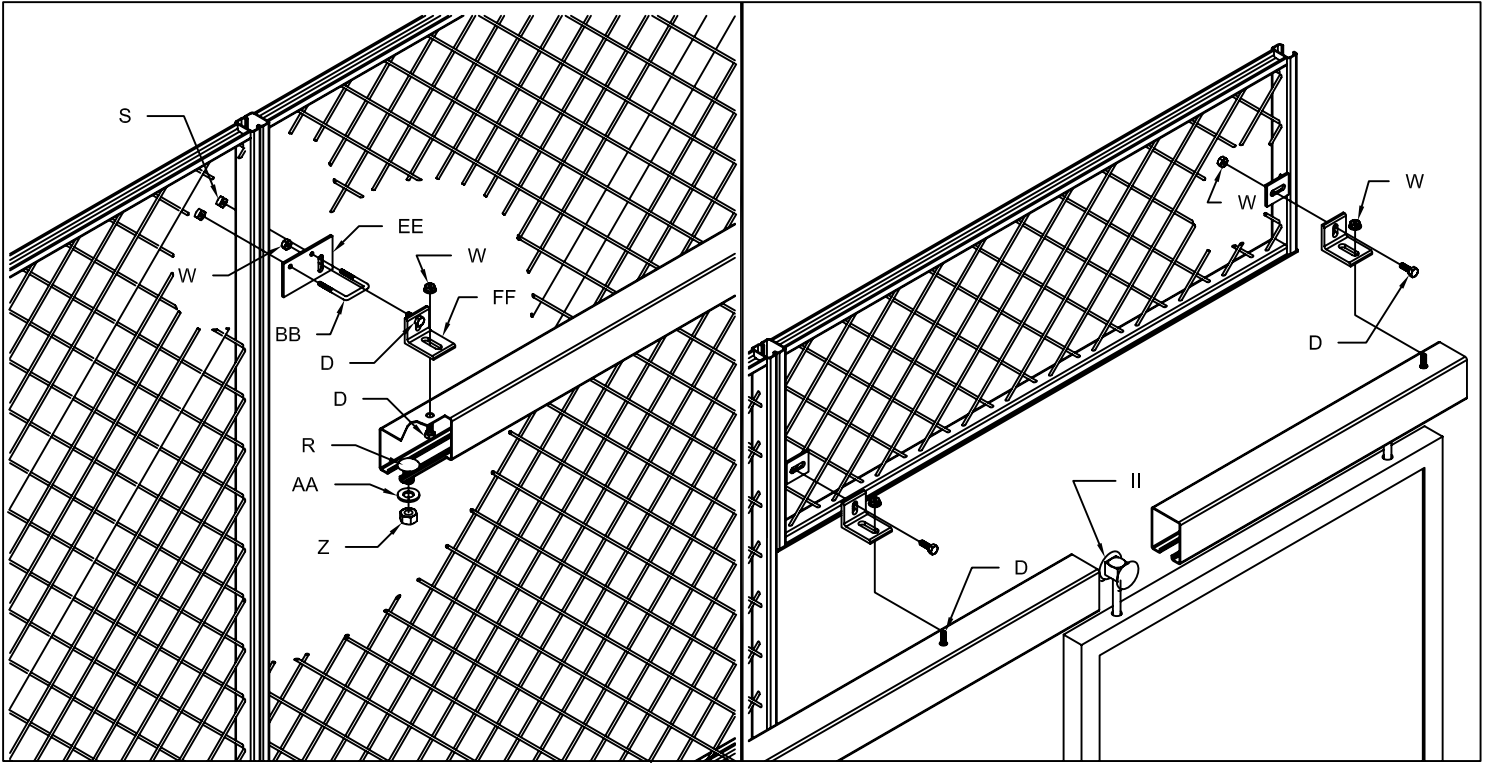
SIDE VIEW



TYPICAL INSTALLATION

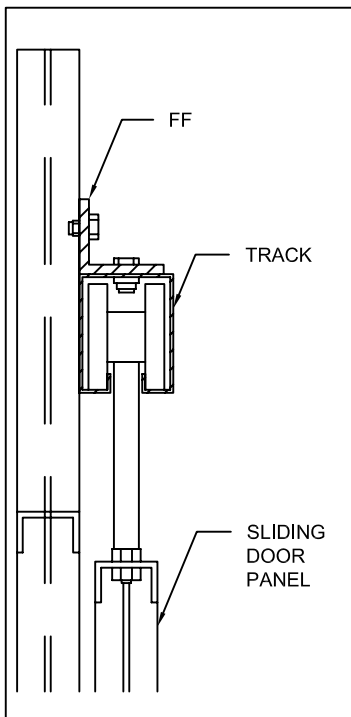
Illustration above depicts a typical 8' high standard size wire partition installation. (Other standard size heights are similar). This illustration features the use of 3' wide Hinged Door and a 5' wide Sliding Door in 8' high wire partition. Doors are 7' high with transom above.

TRANSOM STYLE SLIDE DOOR ASSEMBLY

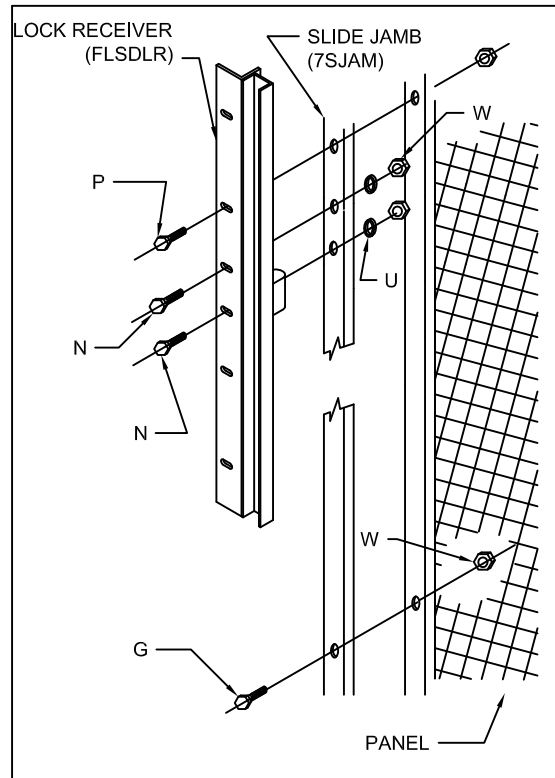


(OPPOSITE END OF TRACK)

TRACK ASSEMBLY
(SDK225 Door Package)



SIDE VIEW



LOCK RECEIVER ASSEMBLY

FULL-HEIGHT SLIDE DOOR

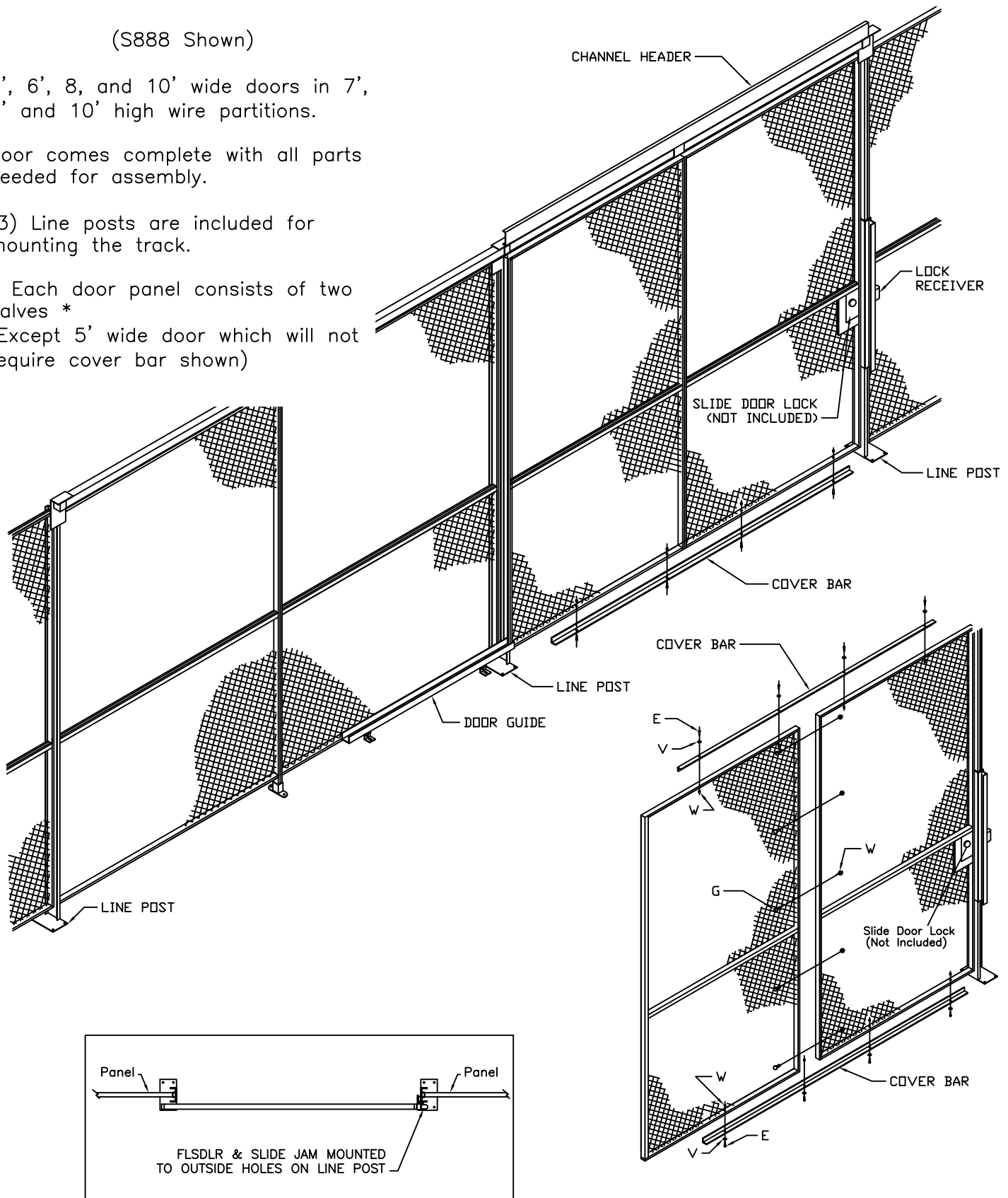
(S888 Shown)

5', 6', 8', and 10' wide doors in 7', 8' and 10' high wire partitions.

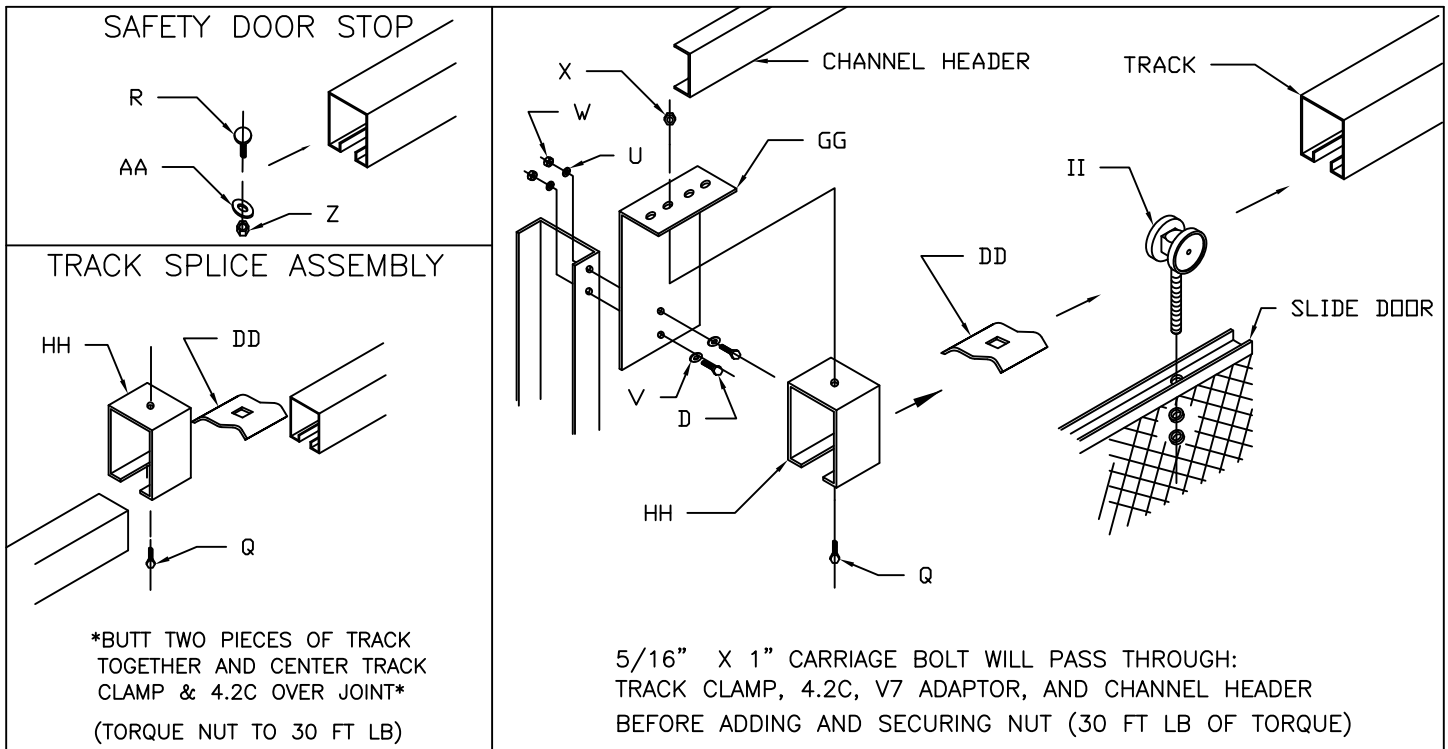
Door comes complete with all parts needed for assembly.

(3) Line posts are included for mounting the track.

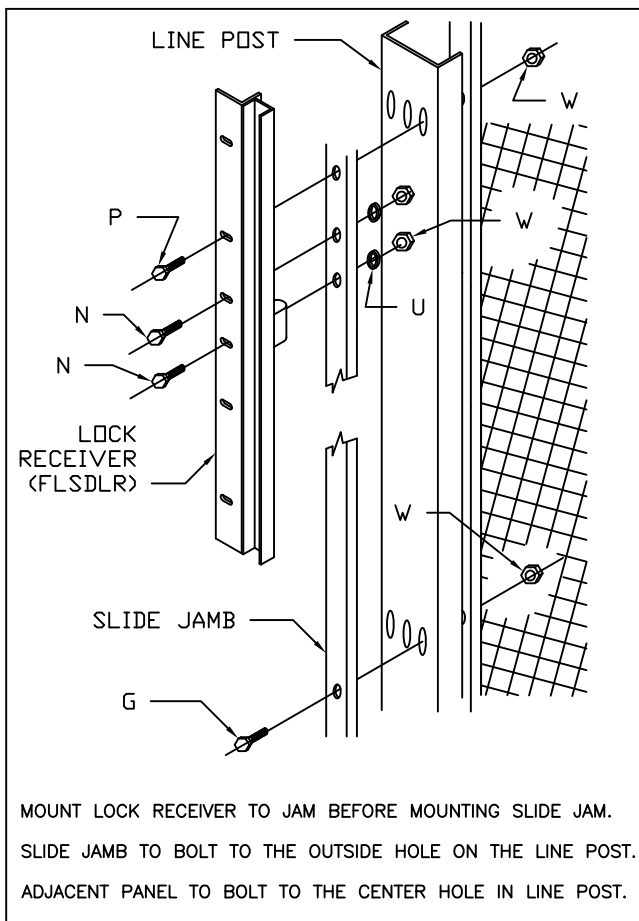
* Each door panel consists of two halves *
 (Except 5' wide door which will not require cover bar shown)



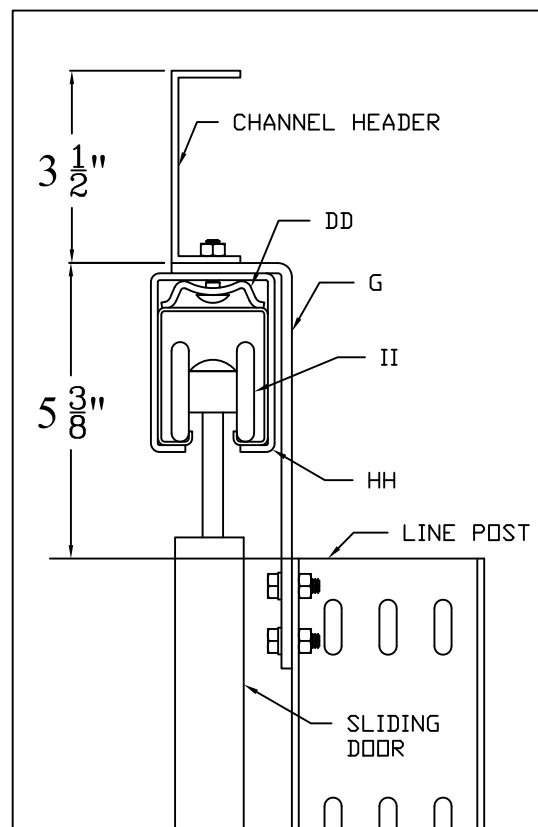
FULL-HEIGHT SLIDE DOOR ASSEMBLY



TRACK ASSEMBLY
(SDK325 Door Package)
(SDK425 Door Package)

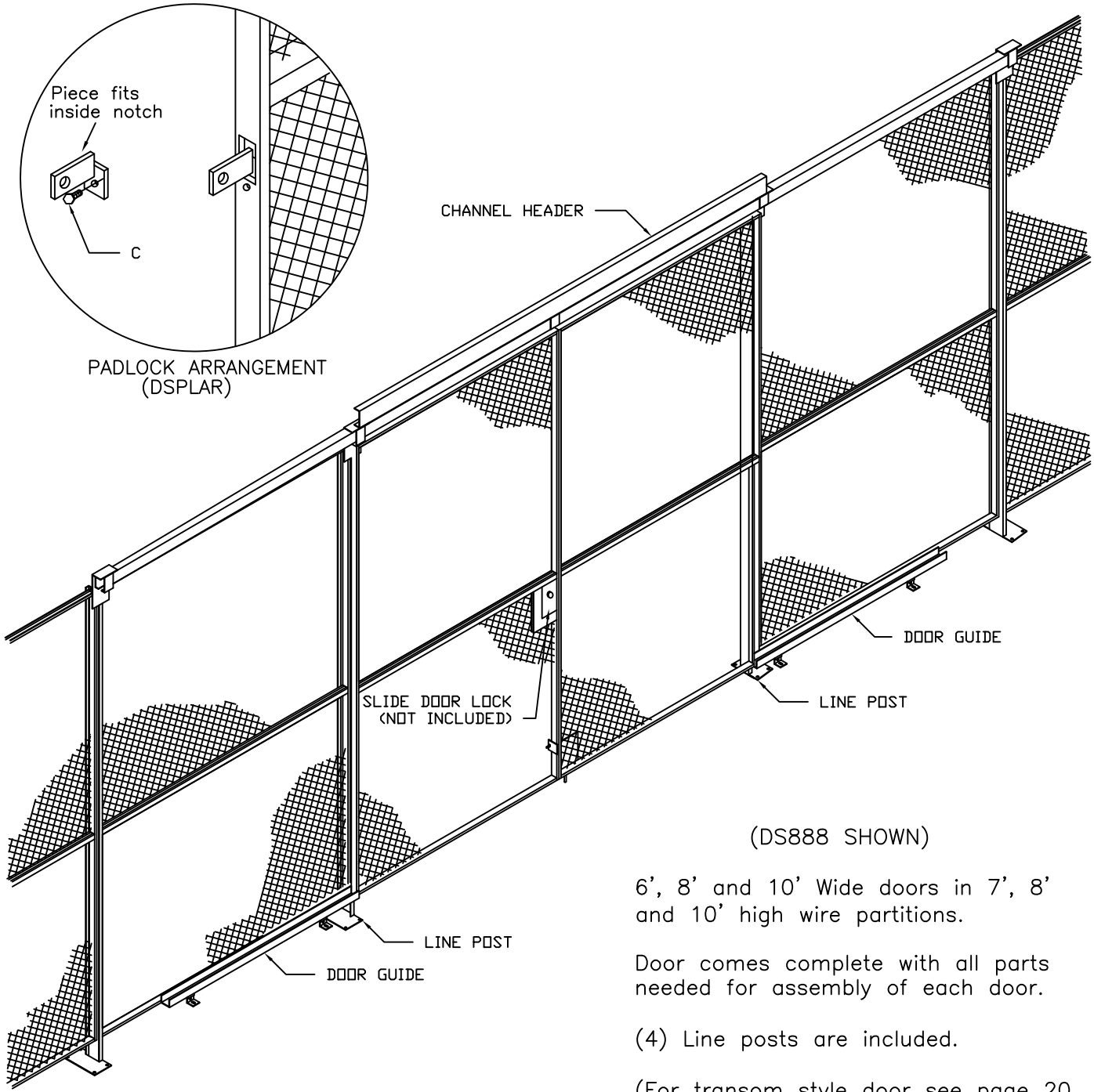


LOCK RECEIVER ASSEMBLY



SIDE VIEW

FULL-HEIGHT BI-PARTING SLIDE DOOR



(DS888 SHOWN)

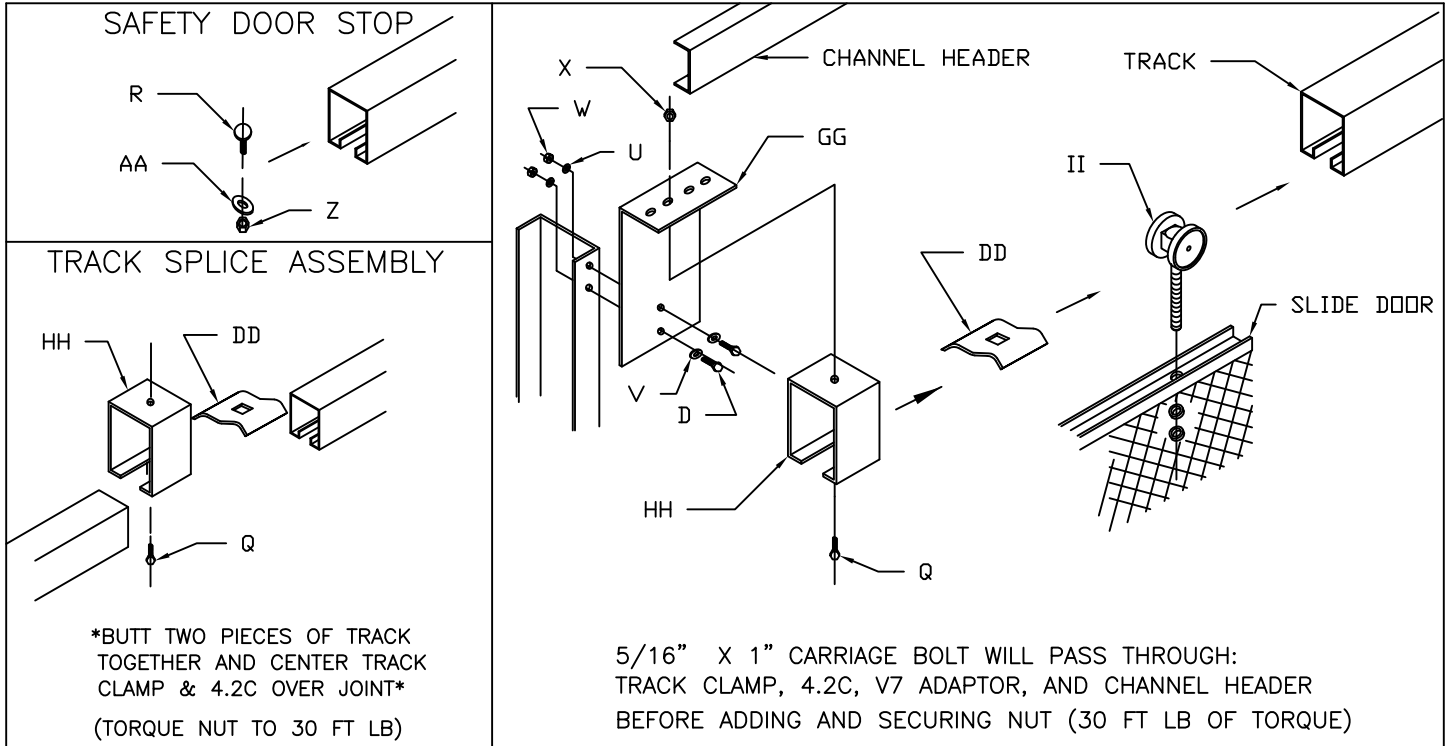
6', 8' and 10' Wide doors in 7', 8' and 10' high wire partitions.

Door comes complete with all parts needed for assembly of each door.

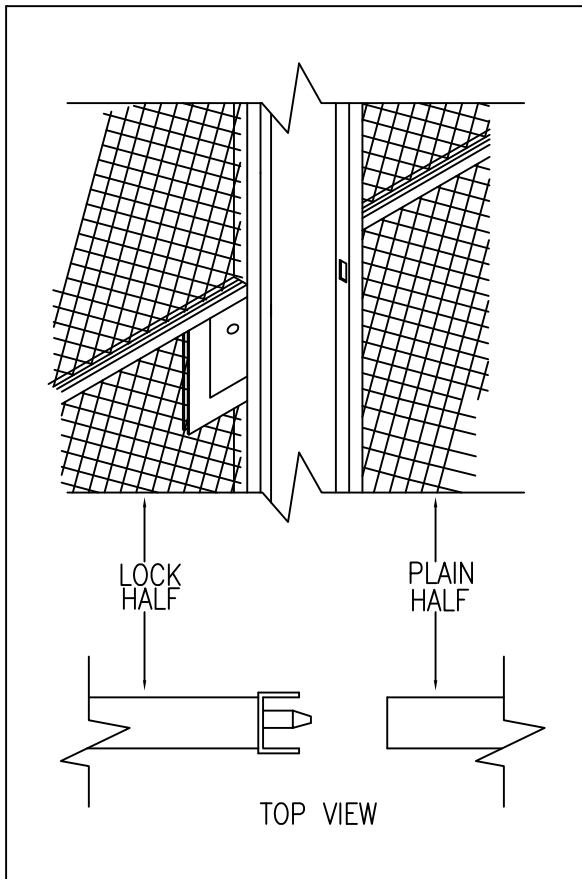
(4) Line posts are included.

(For transom style door see page 20 for notes on special line posts.)

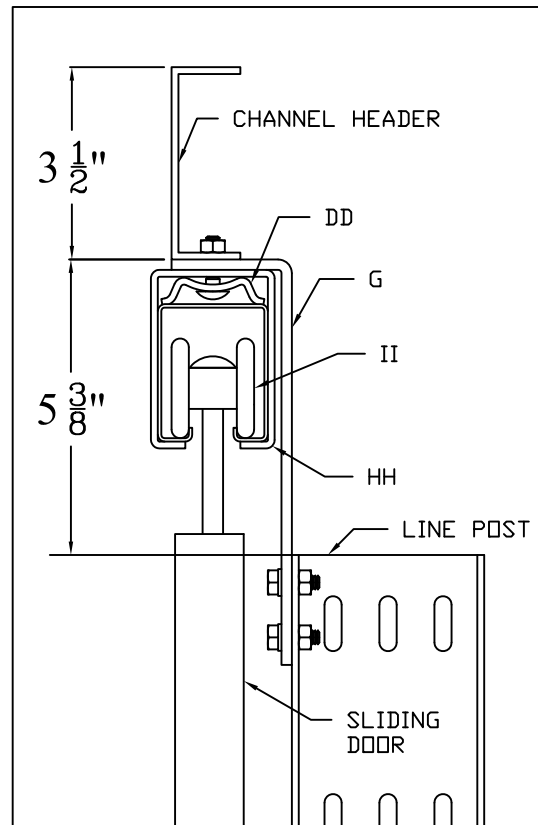
FULL-HEIGHT BI-PARTING SLIDE DOOR ASSEMBLY



TRACK ASSEMBLY
(SDK325 Door Package)
(SDK425 Door Package)

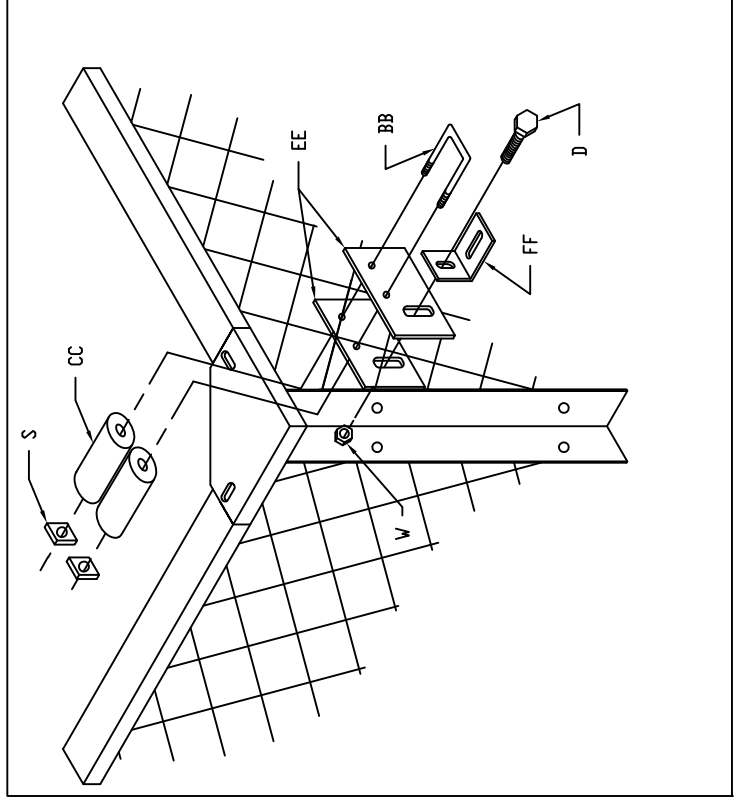
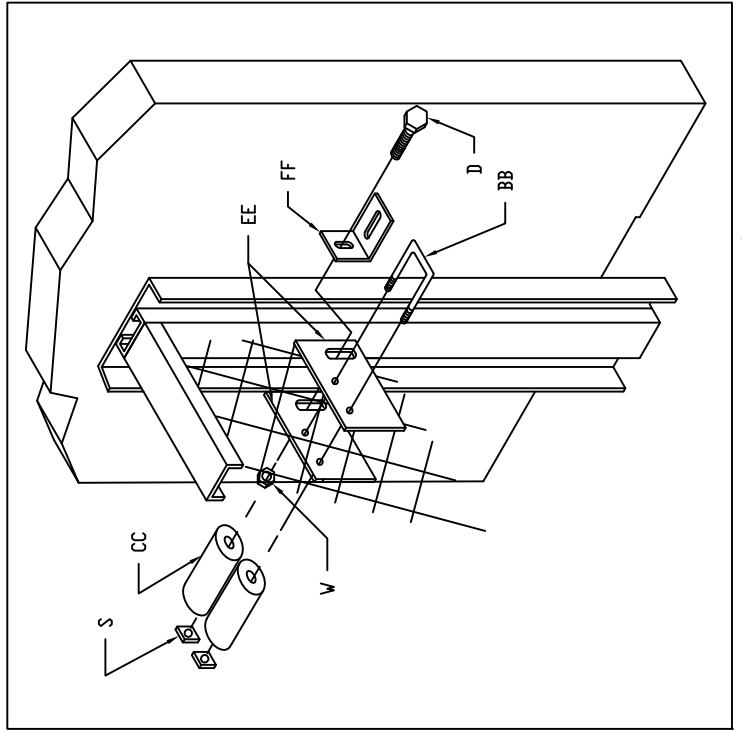
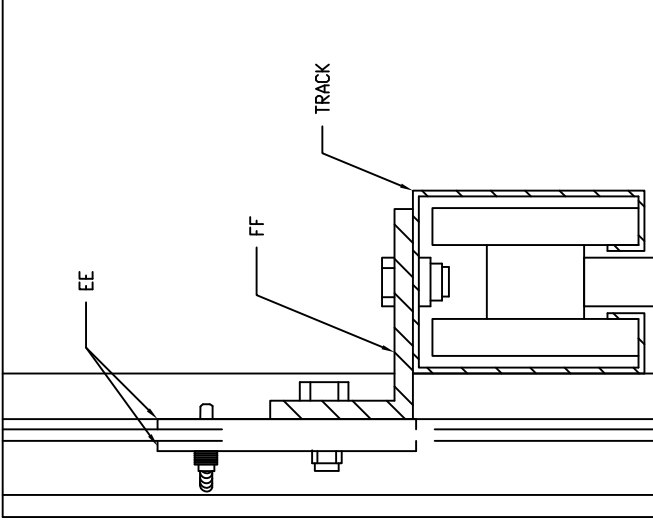
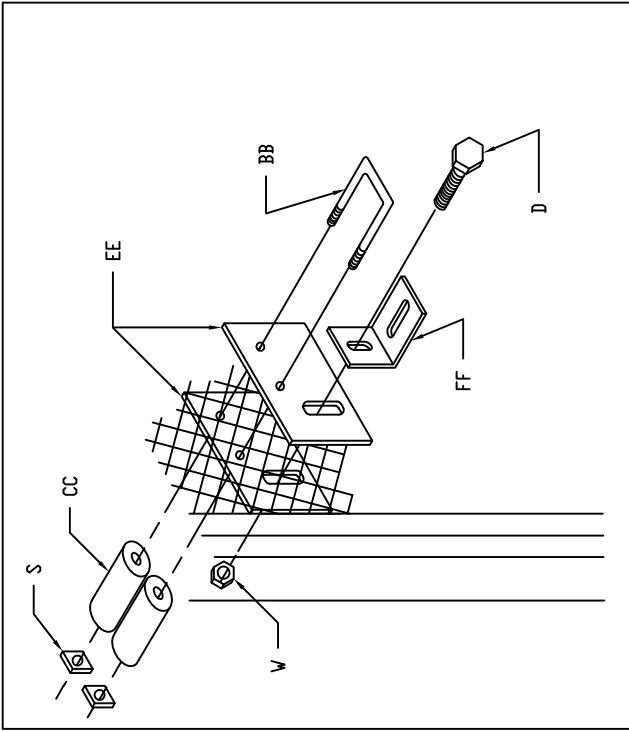


LOCK ARRANGEMENT DETAIL



SIDE VIEW

SPECIAL APPLICATION FOR TRACK SUPPORT (TRKSUP)

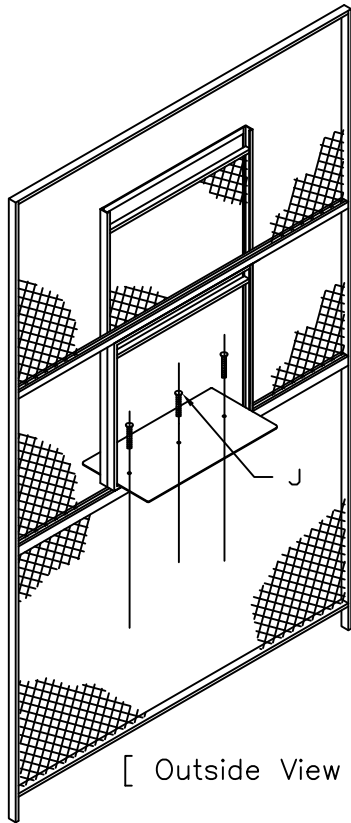


DOOR TRACK TO WALL/LINE POST

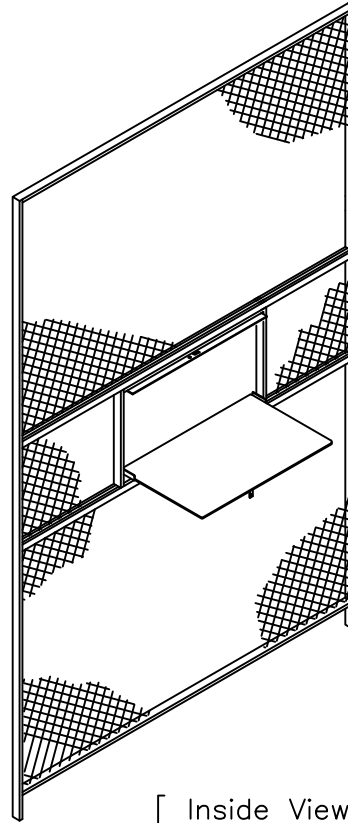
DOOR TRACK TO CORNER POST

SERVICE WINDOWS

(Windows shown installed in 5' panel)
(Slide up window panel packaged separately for shipment)



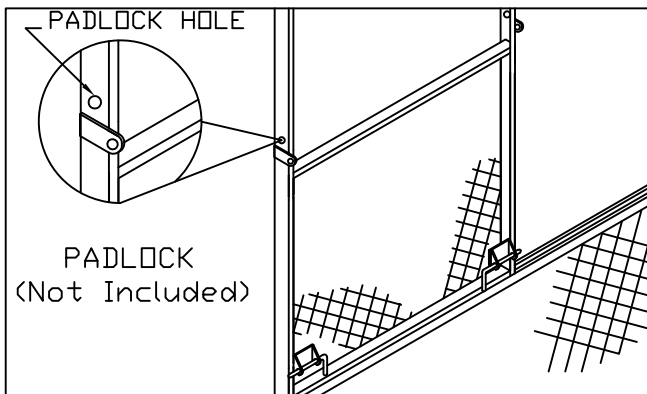
[Outside View]



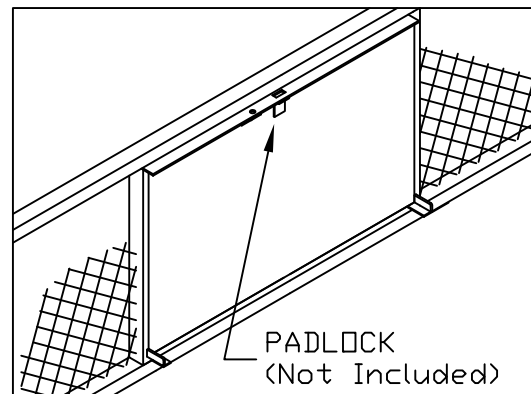
[Inside View]

S2421
(24" wide x 21" high)
Slides Up

F2415
(24" wide x 15" high)
Folds Down



[Inside View]

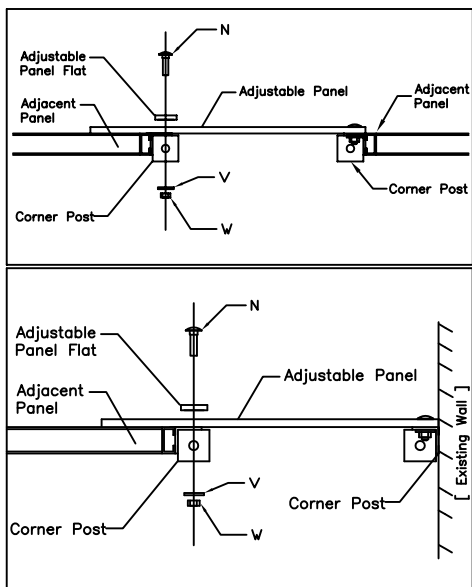
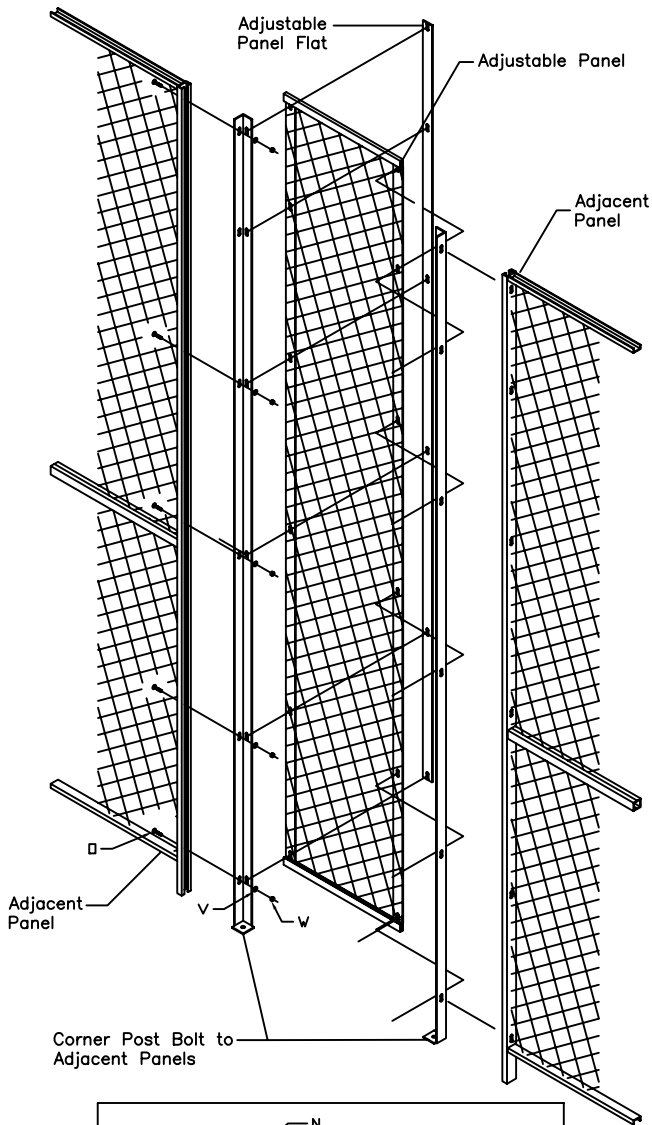


[Inside View]

ADJUSTABLE & FLEX PANELS

ADJUSTABLE PANEL

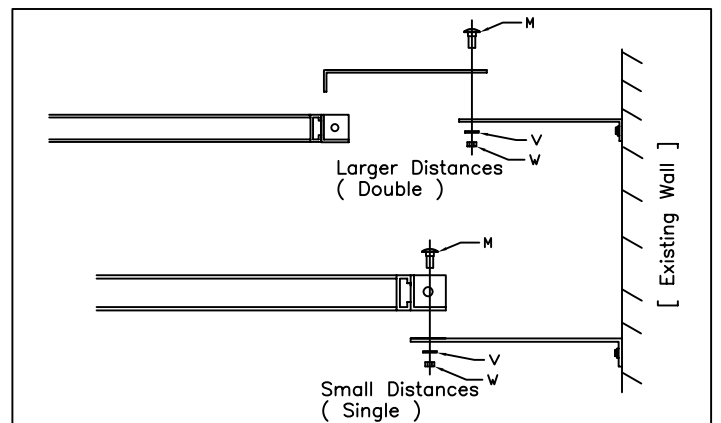
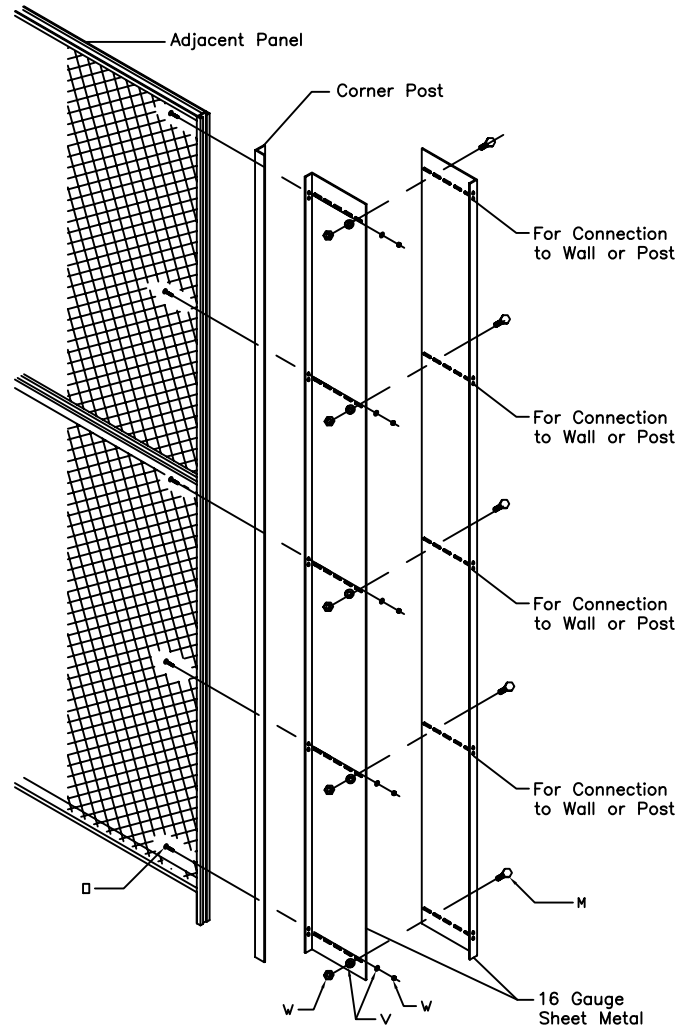
from 3" to 14"



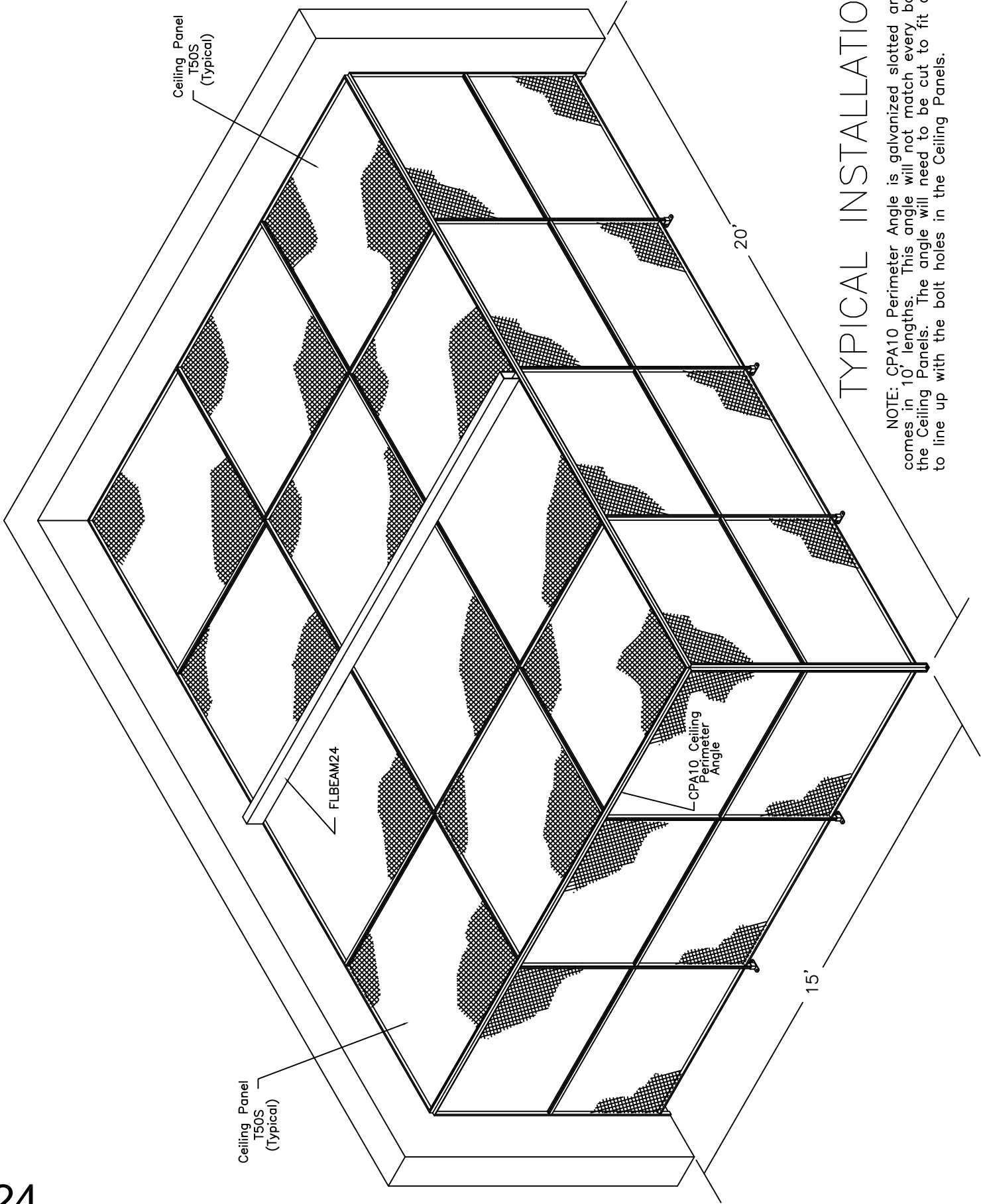
Plan View
(Adjustable Panel)

FLEX PANEL

from 3" to 12"



Plan View
(Flex Panel)

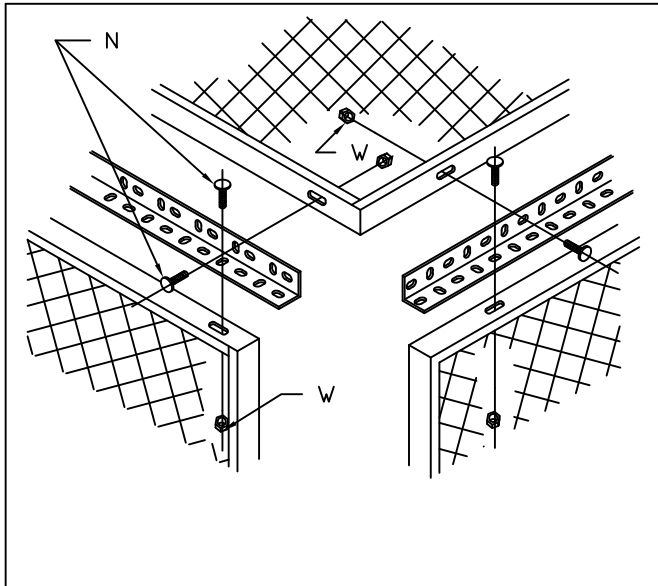


TYPICAL INSTALLATION

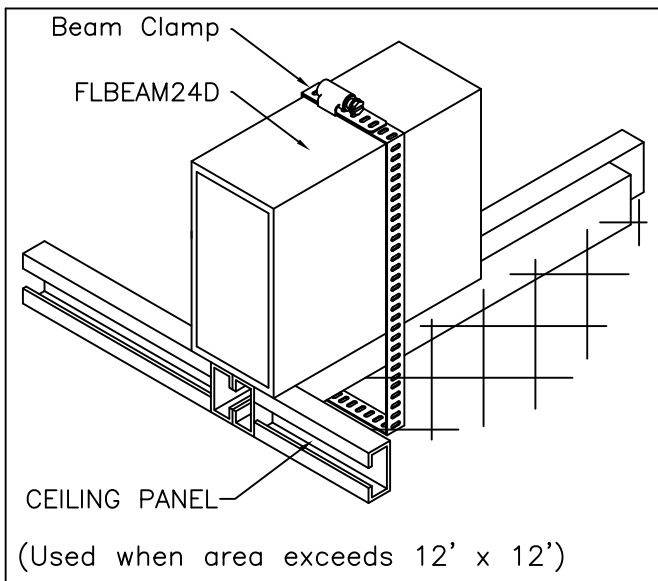
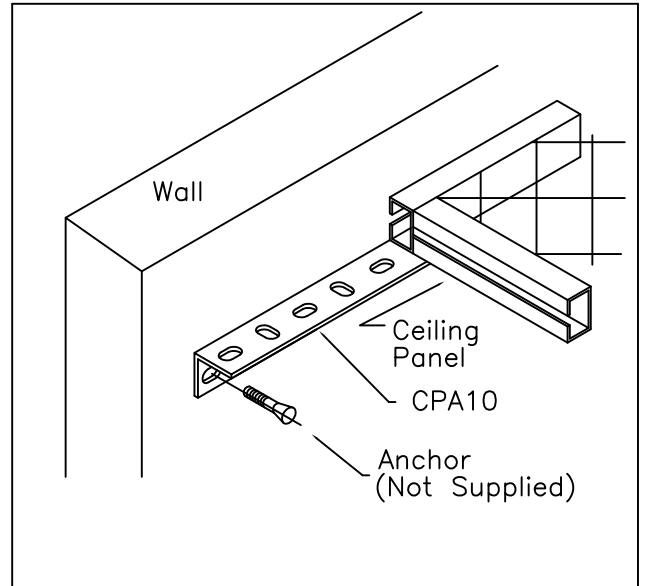
NOTE: CPA10 Perimeter Angle is galvanized slotted angle that comes in 10' lengths. This angle will not match every bolt hole in the Ceiling Panels. The angle will need to be cut to fit and adjusted to line up with the bolt holes in the Ceiling Panels.

TYPICAL CEILING APPLICATION

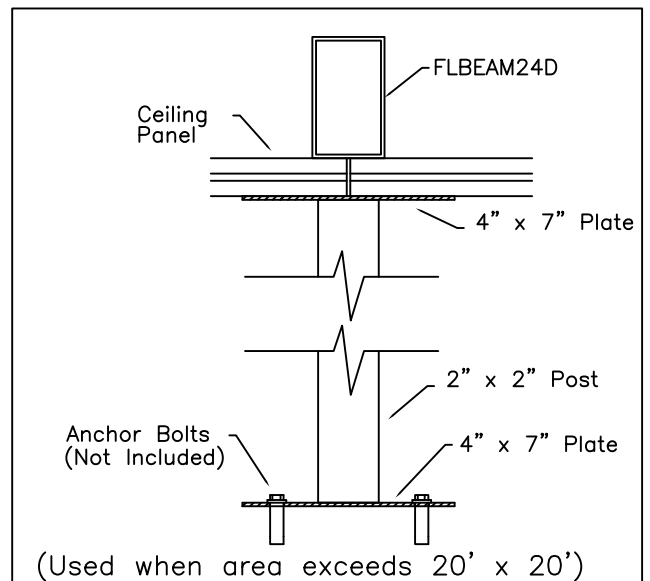
CPA10 Base Panel to Ceiling Panel Application



CPA10 to Wall Application

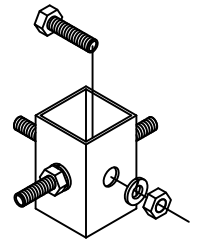
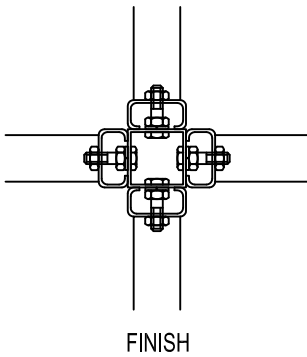
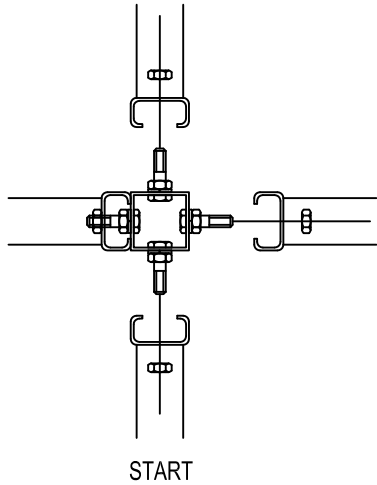


FLBEAM24 Assembly



Support Post (JSC)

FOUR WAY CONNECTION KIT



NOTE - If bolt is loose or missing insert and tighten as shown.

1/4" X 1" SELF TAP SCREW

* FOUR WAY BASE

NOTE:
PLACE FOUR WAY CONNECTORS AT:
TOP, BOTTOM AND CENTER

* (2) HOLES FOR SECURING TO FINISHED FLOOR
SLOTTED HOLES WILL ACCEPT $\frac{3}{8}$ DIA. ANCHOR

W

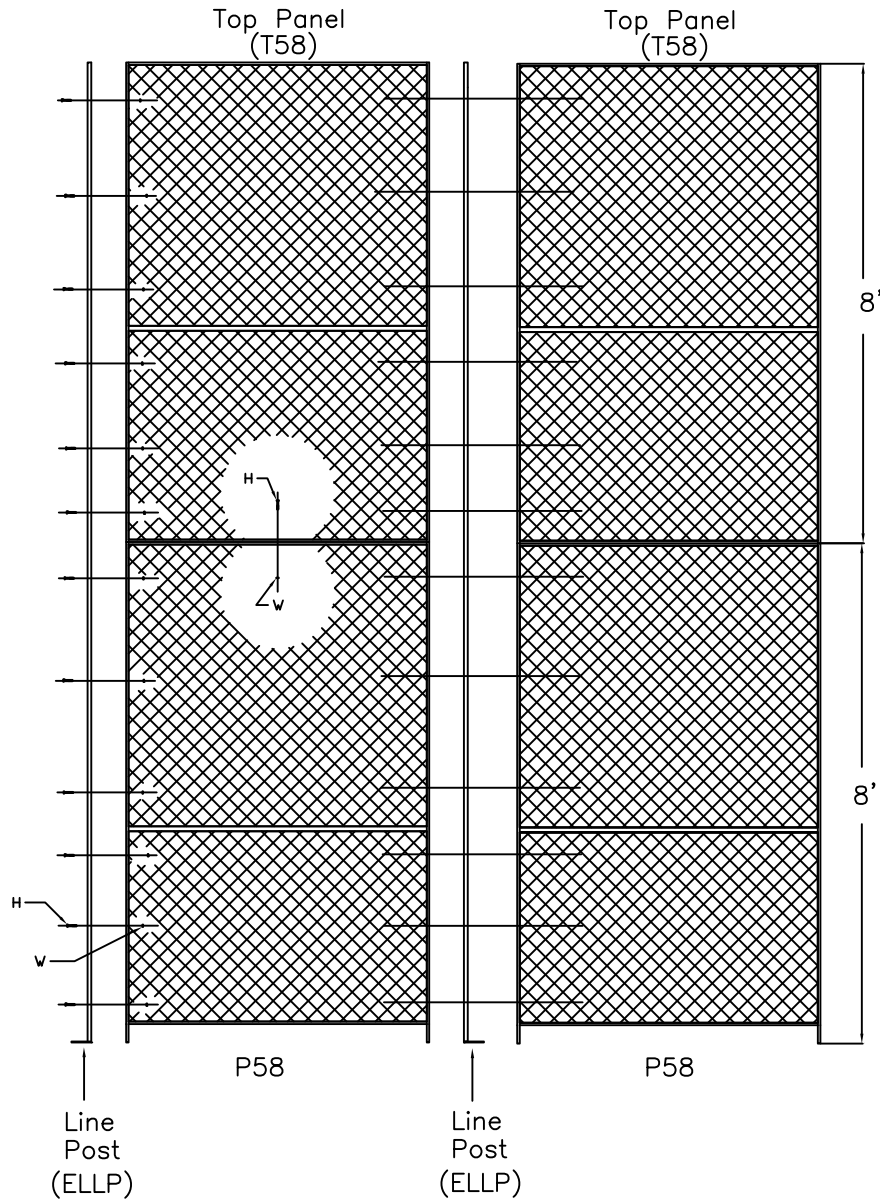
E

U

W

TOP PANEL ASSEMBLY

* 16' High Partition Shown *



NOTES:

TOP PANELS ARE USED FOR HEIGHTS ABOVE 12'.

YOU MUST USE A LINE POST (ELLP) BETWEEN EACH PANEL.

This guide covers basic installations using stock items only.

Your particular cage requirement may not be covered by the details contained herein and may require field modifications not described. If you have any questions regarding your particular installation, please locate the order number on your packing list and call the phone number below to speak with a customer service representative.

Thank you for choosing SpaceGuard Products!

Phone: 1-800-841-0680 Fax: 1-800-428-5758